

**Klippon Control Station (control and signalling device)**  
**KLIPPON CS POK 121209-2**

**Weidmüller Interface GmbH & Co. KG**  
 Klingenbergstraße 16  
 D-32758 Detmold  
 Germany  
 Fon: +49 5231 14-0  
 Fax: +49 5231 14-292083  
 www.weidmueller.com



On-site control with Ex-certified Klippon® Control Station:  
 small command and signalling devices  
 Approved operating and display elements in stainless  
 steel, aluminium or polyester enclosures.  
 You want to control and safeguard your work processes  
 in hazardous areas. For on-site control - approved  
 Klippon® enclosure solutions with control and display  
 elements. Let's connect.

#### General ordering data

Type	KLIPPON CS POK 121209-2
Order No.	<a href="#">1537080000</a>
Version	Klippon Control Station (control and signalling device), Control / signalling device, KLIPPON POK 121209 EX, Glass-fibre reinforced polyester with graphite mixture, Pushbutton - green, 1 NC contact, 1 NO contacts, -55 °C...+55 °C, IP54, IP66
GTIN (EAN)	4050118341041
Qty.	1 pc(s).
Reference product	<a href="#">1306050000</a>
Cable gland	<a href="#">2017260000</a>

## Klippon Control Station (control and signalling device)

### KLIPPON CS POK 121209-2

**Weidmüller Interface GmbH & Co. KG**  
 Klingenbergstraße 16  
 D-32758 Detmold  
 Germany  
 Fon: +49 5231 14-0  
 Fax: +49 5231 14-292083  
 www.weidmueller.com

## Technical data

### Dimensions and weights

Width	120 mm	Width (inches)	4.724 inch
Height	122 mm	Height (inches)	4.803 inch
Height of lowest version	90 mm	Depth	90 mm
Depth (inches)	3.543 inch	Mounting dimension - width	106 mm
Mounting dimension - height	82 mm	Net weight	995 g
Depth with add-on components	103 mm		

### Certificate numbers enclosure

Certificate no. assembled enclosure (ATEX)	TÜV 14 ATEX 7606 X	Certificate no. assembled enclosure (IECEX)	IECEX ITA 14.0013X
Certificate No. (MARITREG)	15.40082.250		

### General information

1 Position in enclosure	Pushbutton - green	Contact design	1 NC contact, 1 NO contacts
Operating voltage, max.	400 V	Operating current at 40°C ambient temperature, max.	1.5 mm <sup>2</sup> - T6 10 A, 1.5 mm <sup>2</sup> - T5 16 A, 2.5 mm <sup>2</sup> - T6 16 A
Operating current at 55°C ambient temperature, max.	1.5 mm <sup>2</sup> - T4 16 A, 1.5 mm <sup>2</sup> - T5 10 A, 2.5 mm <sup>2</sup> - T5 16 A	Actuators	Pushbutton
Actuator colour	green	Drill holes side B	1 x M25
UL 94 flammability rating	V-0	Lid attachment	Crosshead screws, stainless steel
Seal material of operating and display elements	EPDM	Enclosure seal material	Silicone (VMQ)
Torque for lid screws	2.5 Nm	External earth	Available on request
Marking	II 2 G Ex d e IIC T <sup>+</sup> Gb, II 2 D Ex tb IIIC T <sup>+</sup> C Db	Cable gland clamping area, max.	17 mm
Cable gland clamping area, min.	12 mm	Wire connection cross section, finely stranded, max.	2.5 mm <sup>2</sup>
Type of mounting	Wall mounting	Surface finish	untreated
Impact resistance	7 joules in acc. with IEC60079-0	Temperature class	T4, T5, T6
Material	Glass-fibre reinforced polyester with graphite mixture		

### Housing

Drill holes side B	1 x M25	Material	Glass-fibre reinforced polyester with graphite mixture
--------------------	---------	----------	--

### Classifications

ETIM 6.0	EC002503	eClass 6.2	27-37-12-90
eClass 7.1	27-37-12-90	eClass 8.1	27-37-12-90
eClass 9.0	27-18-05-02	eClass 9.1	27-18-05-90

**Data sheet****Klippon Control Station (control and signalling device)  
KLIPPON CS POK 121209-2**

**Weidmüller Interface GmbH & Co. KG**  
Klingenbergstraße 16  
D-32758 Detmold  
Germany  
Fon: +49 5231 14-0  
Fax: +49 5231 14-292083  
www.weidmueller.com

**Technical data****Approvals**

Approvals

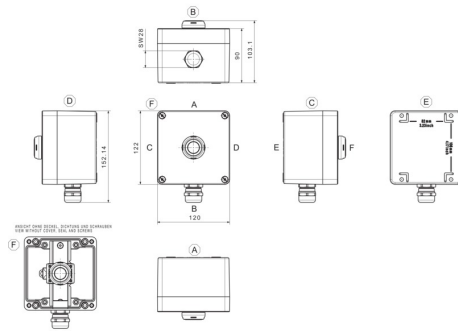
**Downloads**

Brochure/Catalogue	<a href="#">CAT 5 ENCL 17/18 EN</a> <a href="#">PI KLIPPON CS EN</a>
Engineering Data	<a href="#">EPLAN_WSCAD</a>
Engineering Data	<a href="#">STEP</a>

**Klippon Control Station (control and signalling device)**  
**KLIPPON CS POK 121209-2**

**Weidmüller Interface GmbH & Co. KG**  
 Klingenbergstraße 16  
 D-32758 Detmold  
 Germany  
 Fon: +49 5231 14-0  
 Fax: +49 5231 14-292083  
 www.weidmueller.com

Drawings



- Klippon CS POK 121209-2 - LdBmarLeBmss
- Actuating and illuminating elements
  - B: Button
  - I: Illuminated button
  - L: Lamp
  - o: NO
  - m:NC and NO
  - e: NC
  - g: Green
  - r: Red
  - e: Emergency Stop
  - p: Push
  - k: Key
  - 3: Positions of the switch
  - Drilling design
  - Dimensions
  - Enclosure Range
  - POK (Polyester)
  - K (Aluminium)
  - STB (Stainless Steel)
  - Product Name
  - Control Station
  - Brand Name
  - Klippon®

## Klippon POK (polyester empty enclosure) KLIPPON POK 121209 EX

**Weidmüller Interface GmbH & Co. KG**  
Klingenbergstraße 16  
D-32758 Detmold  
Germany  
Fon: +49 5231 14-0  
Fax: +49 5231 14-292083  
www.weidmueller.com



### Klippon® POK – polyester enclosure

The glass-fibre reinforced polyester enclosures of the Klippon® POK range offer a high-quality solution for protecting electrical components. These enclosures are ideal wherever corrosion resistance, shock resistance and a high degree of protection are required.

#### Features:

- glass-fibre reinforced polyester
- 17 sizes
- Two standard colours: grey (similar to RAL 7001) and black (similar to RAL 9011)
- Cover with stainless steel screws in cross-head / slotted design
- Moulded gasket made of silicone or chloroprene
- Fixing holes outside the sealed area
- Mounting directly in the enclosure or using an internal mounting plate
- Direct wall mounting possible using fixing holes or mounting feet
- Fastening thread to attach mounting rails and plates
- Weidmüller can manufacture and supply this enclosure to match customer specifications - fitted with all necessary terminals and cable glands.

#### General ordering data

Type	KLIPPON POK 121209 EX
Order No.	<a href="#">1306050000</a>
Version	Klippon POK (polyester empty enclosure), Empty enclosure, Height: 120 mm, Width: 122 mm, Depth: 90 mm, Material: Glass fibre-reinforced polyester, untreated, polished, black
GTIN (EAN)	4050118108378
Qty.	1 pc(s).
Required tool	<a href="#">9008540000</a>

**Klippon POK (polyester empty enclosure)  
KLIPPON POK 121209 EX**

**Weidmüller Interface GmbH & Co. KG**  
Klingenbergstraße 16  
D-32758 Detmold  
Germany  
Fon: +49 5231 14-0  
Fax: +49 5231 14-292083  
www.weidmueller.com

**Technical data**
**Dimensions and weights**

Width	122 mm	Width (inches)	4.803 inch
Height	120 mm	Height (inches)	4.724 inch
Height of lowest version	90 mm	Depth	90 mm
Depth (inches)	3.543 inch	Mounting dimension - width	106 mm
Mounting dimension - height	82 mm	Net weight	769 g

**Cable glands, left**

M12	8	M16	4
M20	3	M25	1
M32	1		

**Cable glands, right**

M12	8	M16	4
M20	3	M25	1
M32	1		

**Cable glands, top/bottom**

M12	12	M16	6
M20	4	M25	2
M32	1		

**Certificate numbers enclosure**

Certificate no. assembled enclosure (ATEX)	IBExU13ATEX1004 X	Certificate no. empty enclosure (ATEX)	IBExU13ATEX1030 U
Certificate no. assembled enclosure (IECEX)	IECEX IBE 13.0004X	Certificate no. empty enclosure (IECEX)	IECEX IBE 13.0003U
Certificate no., assembled enclosure (EAC)	RU C-DE.ГБ08.B.01328	Certificate no., empty enclosure (EAC)	RU C-DE.ГБ08.B.00472
Certificate no. assembled enclosure (AEx)	E223792	Certificate no. empty enclosure (AEx)	E223792
Certificate no., assembled enclosure (KOSHA)	16-AV4BO-0246X	Certificate No. (GERMLLOYD)	TAE00002R2
Certificate No. (MARITREG)	14.40041.250	Certificate no. (cULus)	E256877

## Klippon POK (polyester empty enclosure) KLIPPON POK 121209 EX

**Weidmüller Interface GmbH & Co. KG**  
Klingenbergstraße 16  
D-32758 Detmold  
Germany  
Fon: +49 5231 14-0  
Fax: +49 5231 14-292083  
www.weidmueller.com

## Technical data

### General information

Areas of use	Explosive risk zone, Harbour facilities, Machine construction, Process industry, Transportation	Installation advice	Direct mounting, Mounting straps
Material thickness	4.39 mm	Material thickness of cover	4.4 mm
Material thickness of enclosure	4.39 mm	Standards	DIN EN 62208 - Empty enclosure standard, IEC 60079-0, IEC 60079-7, IEC 60079-31
Torque for lid screws	2.5 Nm	UL 94 flammability rating	V-0
Material	Glass fibre-reinforced polyester	Seal material	Silicone
Surface finish	untreated, polished	Operating temperature, min.	-55 °C
Operating temperature, max.	100 °C	Impact resistance	7 J ATEX version
Protection degree	IP66	Enclosure attachment	Installation through the housing rear wall, Fixing lugs
Lid attachment	Slotted/Phillips screws		

### General information on accessories

Material	Glass fibre-reinforced polyester	Material thickness	4.39 mm
Mounting dimension - height	82 mm	Mounting dimension - width	106 mm
Surface finish	untreated, polished		

### horizontal assembly

WDU 10 / ZDU 10	1x6	WDU 16 / ZDU 16	1x5
WDU 2,5 / ZDU 2,5 / IDU 2,5	1x12	WDU 4 / ZDU 4	1x10
WDU 6 / ZDU 6	1x7		

### vertical assembly

WDU 2,5 / ZDU 2,5 / IDU 2,5	*	WDU 4 / ZDU 4	*
-----------------------------	---	---------------	---

### Classifications

ETIM 5.0	EC002503	ETIM 6.0	EC002503
eClass 6.2	27-18-05-02	eClass 7.1	27-18-05-02
eClass 8.1	27-18-05-02	eClass 9.0	27-18-05-02
eClass 9.1	27-18-05-02		

**Data sheet**

**Klippon POK (polyester empty enclosure)  
KLIPPON POK 121209 EX**

**Weidmüller Interface GmbH & Co. KG**  
Klingenbergstraße 16  
D-32758 Detmold  
Germany  
Fon: +49 5231 14-0  
Fax: +49 5231 14-292083  
www.weidmueller.com

**Technical data**

**Approvals**

Approvals



ROHS Conform

**Downloads**

Approval/Certificate/Document of Conformity	<a href="#">Attestation of Conformity - Klippon POK Empty Enclosures - AoC DE PS2600 160308 001ISS01</a> <a href="#">EU Declaration of Conformity - Klippon POK Empty Enclosures Ex - DoC DE PS2600 160412 001ISS01</a>
Brochure/Catalogue	<a href="#">MB OVERV. PROCESS WD DE</a> <a href="#">MB KLIPPON ENCL.TECN EN</a> <a href="#">MB PROCESS EN</a> <a href="#">CAT 5 ENCL 17/18 EN</a> <a href="#">FL KLIPPON POK EN</a> <a href="#">FL SHIPBUILDING 2016 EN</a>
Engineering Data	<a href="#">EPLAN, WSCAD</a>
Engineering Data	<a href="#">STEP</a>
Tender specification	<a href="#">Klippon POK 121209 Ex_1306050000_DE</a> <a href="#">Klippon POK 121209 Ex_1306050000_EN</a>
User Documentation	<a href="#">MB KLIPPON ENCL.TECN DE</a> <a href="#">Assembly guidelines - empty enclosures</a>



**Klippon POK (polyester empty enclosure)  
KLIPPON POK 121209 EX**

**Weidmüller Interface GmbH & Co. KG**  
Klingenbergstraße 16  
D-32758 Detmold  
Germany  
Fon: +49 5231 14-0  
Fax: +49 5231 14-292083  
www.weidmueller.com

**Drawings**

