

D-SERIES DRM SCM 4CO ECO

Weidmüller Interface GmbH & Co. KG
 Klingenbergstraße 16
 D-32758 Detmold
 Germany
 Fon: +49 5231 14-0
 Fax: +49 5231 14-292083
 www.weidmueller.com

Product image



Accessories for D-SERIES relays include:

- Relay bases
- LED / Protective modules
- Metal retaining clips

General ordering data

| | |
|------------|---|
| Type | SCM 4CO ECO |
| Order No. | 7760056264 |
| Version | D-SERIES DRM, Relay bases, No. of contacts: 4 CO contact, Continuous current: 6 A, Screw connection |
| GTIN (EAN) | 6944 169662973 |
| Qty. | 10 pc(s). |

**D-SERIES DRM
SCM 4CO ECO**

Weidmüller Interface GmbH & Co. KG
 Klingenbergstraße 16
 D-32758 Detmold
 Germany
 Fon: +49 5231 14-0
 Fax: +49 5231 14-292083
 www.weidmueller.com

Technical data**Dimensions and weights**

| | | | |
|------------|---------|-----------------|------------|
| Width | 27.2 mm | Width (inches) | 1.071 inch |
| Height | 79.9 mm | Height (inches) | 3.146 inch |
| Depth | 61 mm | Depth (inches) | 2.402 inch |
| Net weight | 67.6 g | | |

Temperatures

| | | | |
|-----------------------------|--|-----------------------------|----------------|
| Humidity | 35...85 % rel. humidity, no condensation | Operating temperature, max. | 70 °C |
| Operating temperature, min. | -40 °C | Storage temperature, max. | 70 °C |
| Storage temperature, min. | -40 °C | Operating temperature | -40 °C...70 °C |
| Storage temperature | -40 °C...70 °C | | |

Environmental Product Compliance

| | |
|------------|----------------|
| REACH SVHC | Lead 7439-92-1 |
|------------|----------------|

Rated data UL

| | |
|-------------------------|---------|
| Certificate No. (cURus) | E312083 |
|-------------------------|---------|

Output

| | | | |
|-------------------------|----------|----------------------------|-------|
| Rated switching voltage | 250 V AC | Max. switching voltage, AC | 300 V |
| Continuous current | 6 A | | |

Contact data

| | |
|--------------|--------------|
| Contact type | 4 CO contact |
|--------------|--------------|

General data

| | | | |
|------|-------|--------|-------|
| Rail | TS 35 | Colour | black |
|------|-------|--------|-------|

Insulation coordination

| | | | |
|--|-----------------------------|--|-----------------------------|
| Rated voltage | 250 V | Surge voltage category | III |
| Pollution severity | 2 | Insulating material group | C |
| Protection degree | IP20 | Dielectric strength, Input/Output | 4 kV _{eff} / 1 min |
| Creepage and clearance distance input – output | ≥ 5.5 mm | Dielectric strength of neighbouring contacts | 4 kV _{eff} / 1 min |
| Dielectric strength of open contact | 1 kV _{eff} / 1 min | Impulse withstand voltage | 4.8 kV (1.2/50 µs) |

Further details of approvals / standards

| | | | |
|-----------|--|-------------------------|---------|
| Standards | EN 60664-1:2007, EN 61000-6-2:2005, EN 61000-6-4:2007 + A1:2011, UL 508 | Certificate No. (cURus) | E312083 |
|-----------|--|-------------------------|---------|

**D-SERIES DRM
SCM 4CO ECO**

Weidmüller Interface GmbH & Co. KG
 Klingenbergstraße 16
 D-32758 Detmold
 Germany
 Fon: +49 5231 14-0
 Fax: +49 5231 14-292083
 www.weidmueller.com

Technical data**Connection data**

| | | | |
|---|---------------------|---|---------------------|
| Wire connection method | Screw connection | Stripping length, rated connection | 7 mm |
| Tightening torque, min. | 0.5 Nm | Tightening torque, max. | 0.8 Nm |
| Clamping range, min. | 0.5 mm ² | Clamping range, max. | 2.5 mm ² |
| Wire cross-section, solid, min. | 0.5 mm ² | Wire cross-section, solid, max. | 2.5 mm ² |
| Wire connection cross-section, finely stranded, min. | 0.5 mm ² | Wire connection cross section, finely stranded, max. | 2.5 mm ² |
| Wire connection cross-section, finely stranded with wire-end ferrules DIN 46228/4, min. | 0.5 mm ² | Wire connection cross-section, finely stranded with wire-end ferrules DIN 46228/4, max. | 2.5 mm ² |
| Conductor cross-section, flexible, AEH (DIN 46228-1), min. | 0.5 mm ² | Conductor cross-section, flexible, AEH (DIN 46228-1), max. | 2.5 mm ² |
| Wire connection cross section, finely stranded, two clampable wires, min. | 0.5 mm ² | Wire cross-section, finely stranded, two clampable wires, max. | 1 mm ² |
| Blade size | size PH1 | | |

Classifications

| | | | |
|------------|-------------|------------|-------------|
| ETIM 3.0 | EC001456 | ETIM 5.0 | EC001456 |
| ETIM 6.0 | EC001456 | eClass 6.2 | 27-37-16-03 |
| eClass 7.1 | 27-37-16-03 | eClass 8.1 | 27-37-16-03 |
| eClass 9.0 | 27-37-16-03 | eClass 9.1 | 27-37-16-03 |

Approvals

Approvals



ROHS Conform

Downloads

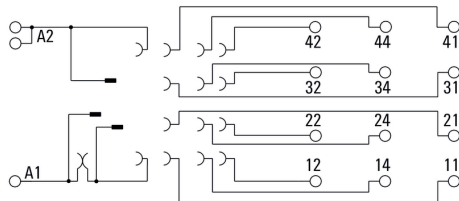
| | |
|---|---|
| Approval/Certificate/Document of Conformity | DE_PA_5600_160310_001.pdf |
| Brochure/Catalogue | CAT 4.2 ELECTR 18/19 EN |
| Engineering Data | EPLAN_WSCAD |
| Engineering Data | STEP |

**D-SERIES DRM
SCM 4CO ECO**

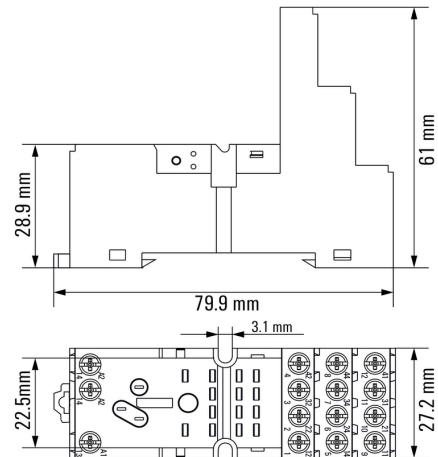
Weidmüller Interface GmbH & Co. KG
 Klingenbergstraße 16
 D-32758 Detmold
 Germany
 Fon: +49 5231 14-0
 Fax: +49 5231 14-292083
 www.weidmueller.com

Drawings

Wiring diagram



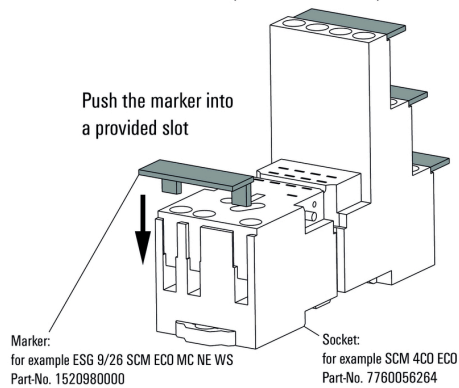
Dimensional drawing



Example of use

How to install marker

on screw connection sockets (four slots available)



How to install marker
 on screw connection sockets (four slots available)