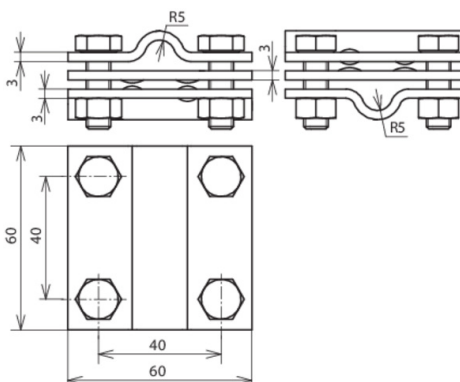




KS 8.10 8.10 FL30 ZP STTZN (319 201)



Figure without obligation



Type Part No.	KS 8.10 8.10 FL30 ZP STTZN 319 201
Material of clamp	St/tZn
Clamping range Rd / Rd	8-10 / 8-10 mm
Clamping range Rd / FI	8-10 / 30 mm
Clamping range FI / FI	30 / 30 mm
Screw	● M8 x 25 mm
Material of screw / nut	St/tZn
Dimension	60 x 60 x 3 mm
Intermediate plate	yes
Standard	EN 62561-1
Short-circuit current (50 Hz) (1 s; ≤ 300 °C)	14 kA
Zinc coating acc. EN 1461	≥ 70 μm
Weight	320 g
Customs tariff number (Comb. Nomenclature EU)	85389099
GTIN	4013364024519
PU	25 pc(s)

We reserve the right to introduce changes in performance, configuration and technology, dimensions, weights and materials in the course of technical progress. The figures are shown without obligation.