



AK 7.10 FRM10X45 KBF0.4 12 TGTZN (371 009)

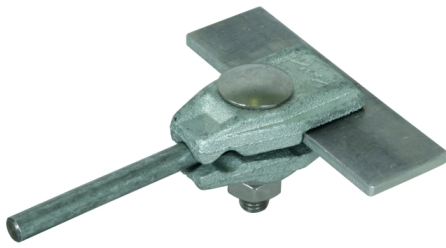
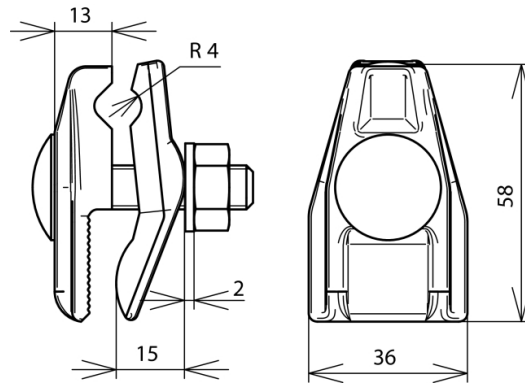


Figure without obligation



Type	AK 7.10 FRM10X45 KBF0.4 12 TGTZN
Part No.	371 009
Clamping range	0.4-12 mm
Material of clamp	MCI/tZn
Clamping range Rd	7-10 mm
Screw	🔩 M10 x 45 mm
Material of screw / nut	StSt
Standard	EN 62561-1
Weight	208 g
Customs tariff number (Comb. Nomenclature EU)	85389099
GTIN	4013364024656
PU	20 pc(s)

We reserve the right to introduce changes in performance, configuration and technology, dimensions, weights and materials in the course of technical progress. The figures are shown without obligation.