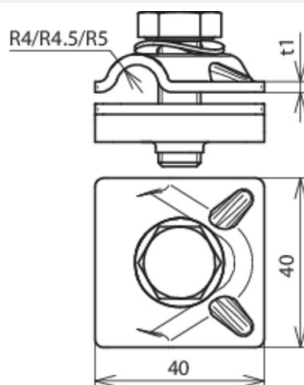




MVK 8.10 SKM10X30 FSC V2A (390 559)



Figure without obligation



Type	MVK 8.10 SKM10X30 FSC V2A
Part No.	390 559
Material of clamp	StSt
Clamping range Rd	8-10 mm
Material thickness (t1 / t2)	2.5 mm
Screw	M10 x 30 mm
Material of screw / nut	StSt
Standard	EN 62561-1
Weight	98 g
Customs tariff number (Comb. Nomenclature EU)	85389099
GTIN	4013364096035
PU	50 pc(s)

We reserve the right to introduce changes in performance, configuration and technology, dimensions, weights and materials in the course of technical progress. The figures are shown without obligation.