



KS 16 8.10 FL30 OV ZP STTZN (316 163)

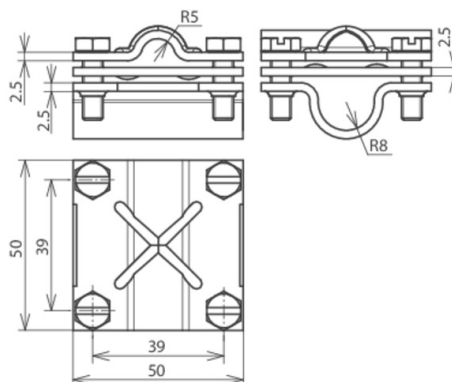
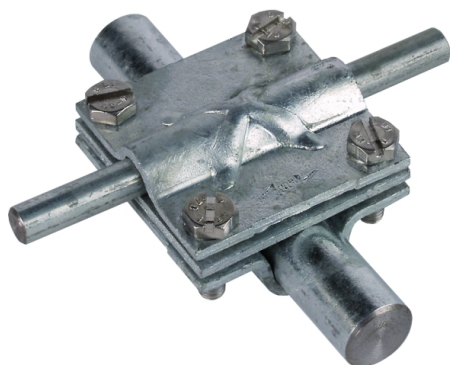


Figure without obligation

Type	KS 16 8.10 FL30 OV ZP STTZN
Part No.	316 163
Material of clamp	St/tZn
Clamping range Rd / Rd	16 / 8-10 mm
Clamping range Rd / FI	16 / 30 mm
Screw	M6 x 20 mm
Material of screw	StSt
Dimension	50 x 50 x 2.5 mm
Intermediate plate	yes
Standard	EN 62561-1
Weight	191 g
Customs tariff number (Comb. Nomenclature EU)	85389099
GTIN	4013364024502
PU	1 pc(s)

We reserve the right to introduce changes in performance, configuration and technology, dimensions, weights and materials in the course of technical progress. The figures are shown without obligation.