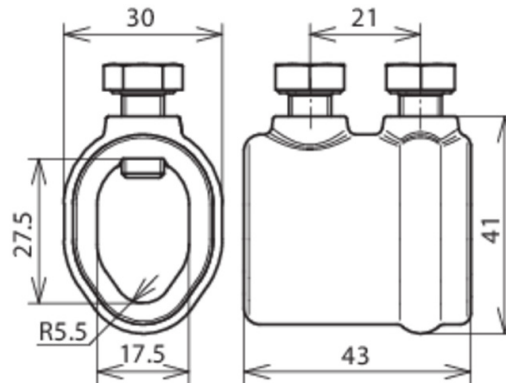




TM G 7.10 16 ZG (450 011)



Figure without obligation



Type	TM G 7.10 16 ZG
Part No.	450 011
Material	ZDC
Clamping range Rd / Rd	7-10 / 16 mm
Screw	⚙ M8 x 16 mm
Material of screw	StSt
Standard	EN 62561-1
Weight	134 g
Customs tariff number (Comb. Nomenclature EU)	85389099
GTIN	4013364025172
PU	50 pc(s)

We reserve the right to introduce changes in performance, configuration and technology, dimensions, weights and materials in the course of technical progress. The figures are shown without obligation.