



## ZMTK 8.10 8.10 CU STTZN (460 517)

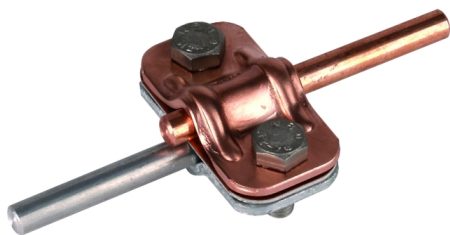
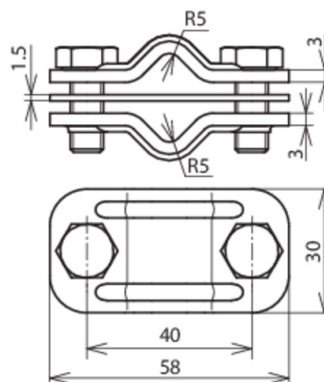


Figure without obligation



Type	ZMTK 8.10 8.10 CU STTZN
Part No.	460 517
Material	Cu / St/tZn
Clamping range Rd / Rd	8-10 / 8-10 mm
Screw	⚙ M8 x 20 mm
Material of screw	StSt
Distance of screws	40 mm
Material thickness (t1)	3 / 1.5 mm
Standard	EN 62561-1
Weight	105 g
Customs tariff number (Comb. Nomenclature EU)	85389099
GTIN	4013364034259
PU	1 pc(s)

We reserve the right to introduce changes in performance, configuration and technology, dimensions, weights and materials in the course of technical progress. The figures are shown without obligation.