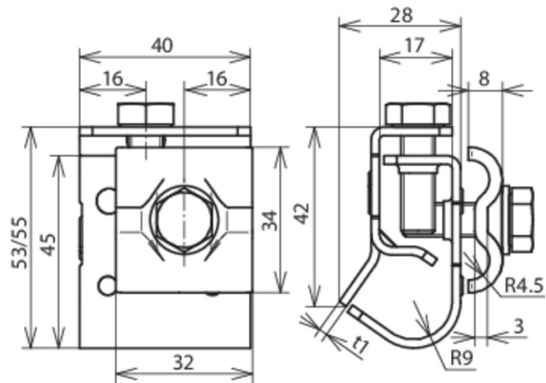




## DRK DUL 8.10 W16.22 V2A (339 059)



Figure without obligation



Type	DRK DUL 8.10 W16.22 V2A
Part No.	339 059 ✓
Clamping range of bead	16-22 mm
Material of clamp	StSt
Clamping range Rd	8-10 mm
Material of cleat	StSt
Width / material thickness	40 / 2 mm
Screw	● M8 x 20 / 25 mm
Material of screw	StSt
Standard	EN 62561-1
Weight	132 g
Customs tariff number (Comb. Nomenclature EU)	85389099
GTIN	4013364096301
PU	25 pc(s)

We reserve the right to introduce changes in performance, configuration and technology, dimensions, weights and materials in the course of technical progress. The figures are shown without obligation.