

NS 7.10 FL30 MZ 8 AL (481 008)

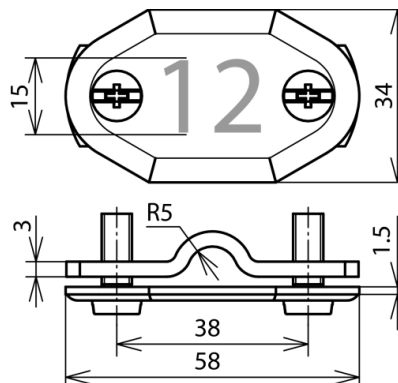


Figure without obligation

| Type | NS 7.10 FL30 MZ 8 AL |
|---|----------------------|
| Part No. | 481 008 |
| Material | Al |
| Number | 8 |
| Clamping range Rd / FI | 7-10 / 30 mm |
| Screw | ⚙ M6 x 16 mm |
| Material of screw | StSt |
| Standard | DIN 48821 |
| Weight | 26 g |
| Customs tariff number (Comb. Nomenclature EU) | 83100000 |
| GTIN | 4013364161139 |
| PU | 1 pc(s) |

We reserve the right to introduce changes in performance, configuration and technology, dimensions, weights and materials in the course of technical progress. The figures are shown without obligation.

Any other numbering or labelling of the number plates available upon request!