



KS 8.10 16 FL30 ZP V4A (319 219)

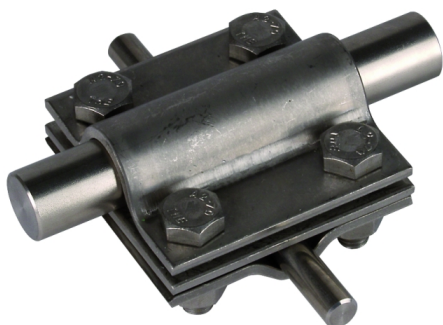
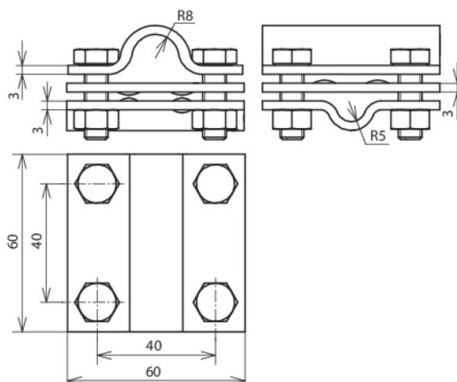


Figure without obligation



Type	KS 8.10 16 FL30 ZP V4A
Part No.	319 219
Material of clamp	StSt (V4A)
Clamping range Rd / Rd	16 / 8-10 mm
Clamping range Rd / FI	16 / 30 mm
Clamping range (stranded / cable)	50-70 / 120 mm ²
Screw	⚙ M8 x 25 mm
Material of screw / nut	StSt (V4A)
Material No.	1.4571 / 1.4404 / 1.4401
ASTM / AISI:	316Ti / 316L / 316
Dimension	60 x 60 x 3 mm
Intermediate plate	yes
Standard	EN 62561-1
Weight	319 g
Customs tariff number (Comb. Nomenclature EU)	85389099
GTIN	4013364069916
PU	25 pc(s)

We reserve the right to introduce changes in performance, configuration and technology, dimensions, weights and materials in the course of technical progress. The figures are shown without obligation.