



SVK 7.10 7.10 FL30 STTZN (308 220)

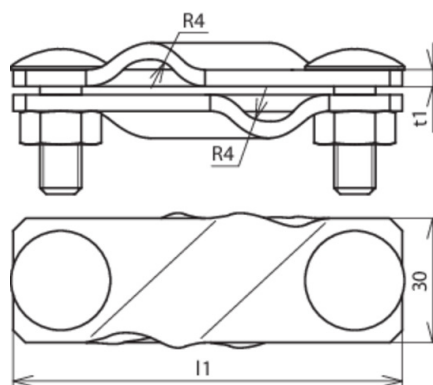


Figure without obligation

Type	SVK 7.10 7.10 FL30 STTZN
Part No.	308 220
Material of clamp	St/tZn
Clamping range Rd / Rd	7-10 / 7-10 mm
Clamping range Rd / Fl	7-10 / 30 mm
Clamping range Fl / Fl	30 / 30 mm
Screw	➤ M10 x 30 mm
Material of screw / nut	St/tZn
Dimension (l1 x t1)	94 x 4 mm
Standard	EN 62561-1
Short-circuit current (50 Hz) (1 s; ≤ 300 °C)	7.3 kA
Weight	250 g
Customs tariff number (Comb. Nomenclature EU)	85389099
GTIN	4013364084216
PU	25 pc(s)

We reserve the right to introduce changes in performance, configuration and technology, dimensions, weights and materials in the course of technical progress. The figures are shown without obligation.