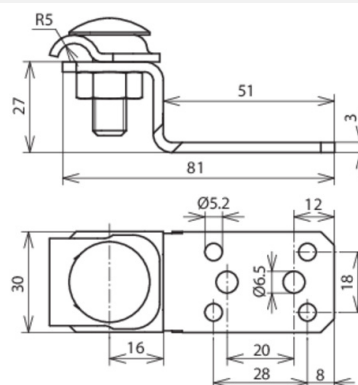




AL ZF KB 6.10STTZN B5.2 6.5 L81 AL (377 100)



Figure without obligation



Type	AL ZF KB 6.10STTZN B5.2 6.5 L81 AL
Part No.	377 100
Material of bracket	Al
Material thickness (t1)	3 mm
Fixing	[4x] Ø5.2 / [2x] Ø6.5 mm
Fixing possibility	blind rivets or drilling screws
Application note	according to EN 62305-3 Suppl. 1 4 rivets Ø5mm, 2 rivets Ø6mm shall be used to connect materials ≥ 0.5mm thick or 2 Parker screws StSt Ø6.3mm for materials ≥ 2mm thick.
Material of clamping frame	St/tZn
Screw	⬆ M10 x 30 mm
Material of screw / nut	StSt
Connection	lengthwise / crosswise
Connection with	clamping frame
Clamping range Rd	6-10 mm
Standard	EN 62561-1
Weight	74 g
Customs tariff number (Comb. Nomenclature EU)	85389099
GTIN	4013364078604
PU	50 pc(s)

We reserve the right to introduce changes in performance, configuration and technology, dimensions, weights and materials in the course of technical progress. The figures are shown without obligation.