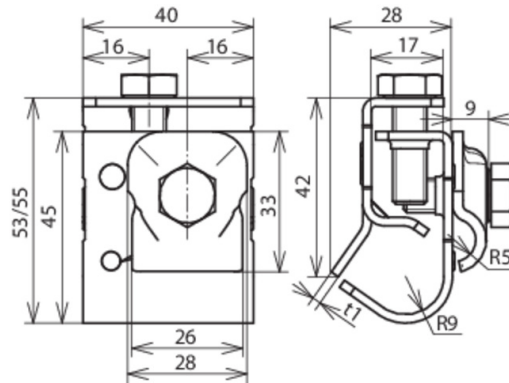




DRK KB 6.10 W16.22 CU (339 067)



Figure without obligation



Type	DRK KB 6.10 W16.22 CU
Part No.	339 067
Component protection	German Patent No. P 38 35 245.1
Clamping range of bead	16-22 mm
Material of clamp	Cu
Clamping range Rd	6-10 mm
Material of cleat	Cu
Width / material thickness	40 / 2 mm
Screw	● M8 x 20 / 25 mm
Material of screw	StSt
Standard	EN 62561-1
Weight	136 g
Customs tariff number (Comb. Nomenclature EU)	85389099
GTIN	4013364046887
PU	25 pc(s)

We reserve the right to introduce changes in performance, configuration and technology, dimensions, weights and materials in the course of technical progress. The figures are shown without obligation.