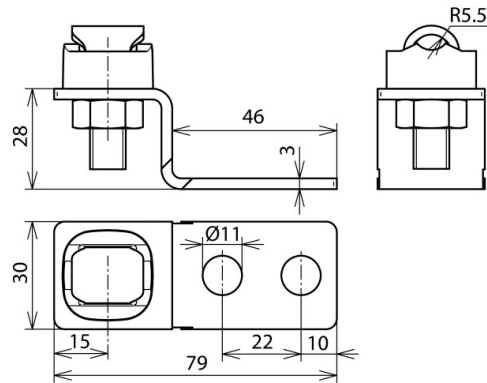




ES ZF 2XB11 KSV 7.10 STTZN (363 010)



Figure without obligation



Type	ES ZF 2XB11 KSV 7.10 STTZN
Part No.	363 010
Material	St/tZn
Distance of bores	22 mm
Bore Ø	11 mm
Clamping range Rd	7-10 mm
Type	cranked with KS connector (Part No. 301000)
Standard	EN 62561-1
Weight	124 g
Customs tariff number (Comb. Nomenclature EU)	85389099
GTIN	4013364045743
PU	50 pc(s)

We reserve the right to introduce changes in performance, configuration and technology, dimensions, weights and materials in the course of technical progress. The figures are shown without obligation.