



KS 8.10 8.10 FL30 OV STTZN (314 300)

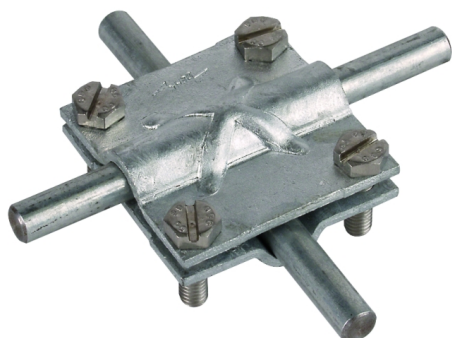
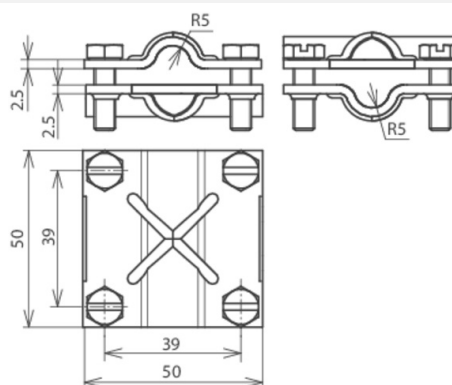


Figure without obligation



| Type Part No. | KS 8.10 8.10 FL30 OV STTZN 314 300 |
|---|---------------------------------------|
| Material of clamp | St/tZn |
| Clamping range Rd / Rd | 8-10 / 8-10 mm |
| Clamping range Rd / FI | 8-10 / 30 mm |
| Clamping range FI / FI | 30 / 30 mm |
| Screw | ⚙️ M6 x 20 mm |
| Material of screw | StSt |
| Dimension | 50 x 50 x 2.5 mm |
| Standard | EN 62561-1 |
| Weight | 120 g |
| Customs tariff number (Comb. Nomenclature EU) | 85389099 |
| GTIN | 4013364096400 |
| PU | 50 pc(s) |

We reserve the right to introduce changes in performance, configuration and technology, dimensions, weights and materials in the course of technical progress. The figures are shown without obligation.