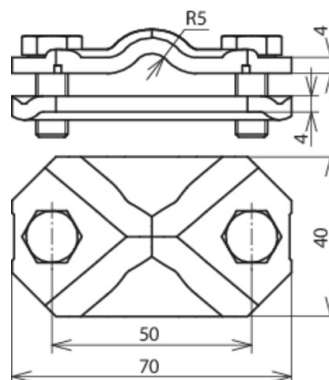




VTK 7.10 FL30.40 STTZN (454 100)



Figure without obligation



Type	VTK 7.10 FL30.40 STTZN
Part No.	454 100
Material	St/tZn
Clamping range Rd / FI	7-10 / 30-40 mm
Screw	⚙ M8 x 20 mm
Material of screw	StSt
Standard	EN 62561-1
Weight	177 g
Customs tariff number (Comb. Nomenclature EU)	85389099
GTIN	4013364035904
PU	25 pc(s)

We reserve the right to introduce changes in performance, configuration and technology, dimensions, weights and materials in the course of technical progress. The figures are shown without obligation.