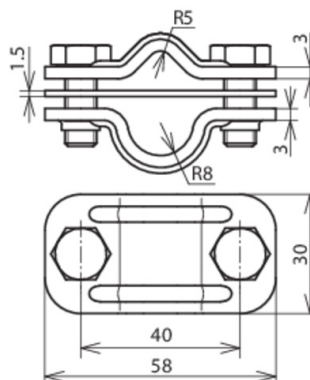




ZMTK 8.10 16 CU STTZN (460 507)



Figure without obligation



| Type | ZMTK 8.10 16 CU STTZN |
|---|-----------------------|
| Part No. | 460 507 |
| Material | Cu / St/tZn |
| Clamping range Rd / Rd | 8-10 / 16 mm |
| Screw | ⚙ M8 x 20 mm |
| Material of screw | StSt |
| Distance of screws | 40 mm |
| Material thickness (t1) | 3 / 1.5 mm |
| Standard | EN 62561-1 |
| Weight | 126 g |
| Customs tariff number (Comb. Nomenclature EU) | 85389099 |
| GTIN | 4013364034266 |
| PU | 1 pc(s) |

We reserve the right to introduce changes in performance, configuration and technology, dimensions, weights and materials in the course of technical progress. The figures are shown without obligation.