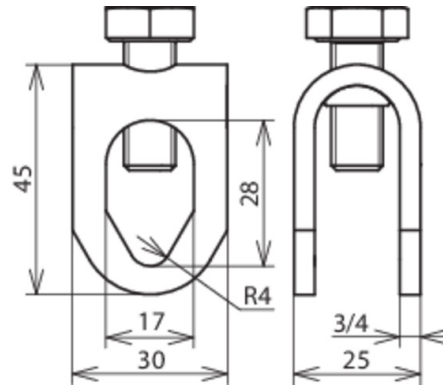




**FSK 8.10 16 SKM10X25 V2A (380 029)**



Figure without obligation



**Application note:**

Lengthwise connection of all conductor materials, crosswise connection (ohne Einfädeln) nur für St/tZn und NIRO (Rd 8-10)

Type	FSK 8.10 16 SKM10X25 V2A
Part No.	380 029
Material of clamp	StSt
Clamping range Rd / Rd	8-10 / 16 mm
Screw	● M10 x 25 mm
Material of screw	StSt
Standard	EN 62561-1
Weight	70 g
Customs tariff number (Comb. Nomenclature EU)	85389099
GTIN	4013364066359
PU	50 pc(s)

We reserve the right to introduce changes in performance, configuration and technology, dimensions, weights and materials in the course of technical progress. The figures are shown without obligation.