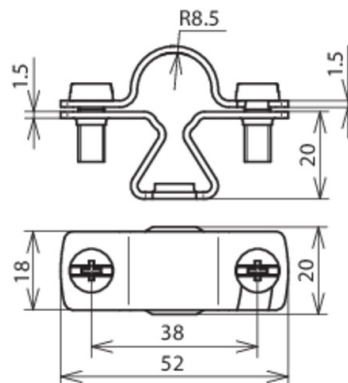


LH ZS 16 M8 V2A (274 116)



Figure without obligation



Type	LH ZS 16 M8 V2A
Part No.	274 116
Material of conductor holder	StSt
Conductor holder support Rd	16 mm
Height of conductor holder	20 mm
Thread of conductor holder	M8
Conductor leading	fixed
Weight	37 g
Customs tariff number (Comb. Nomenclature EU)	85389099
GTIN	4013364123410
PU	50 pc(s)

We reserve the right to introduce changes in performance, configuration and technology, dimensions, weights and materials in the course of technical progress. The figures are shown without obligation.