

NS 7.10 FL30 MZ 10 AL (481 010)

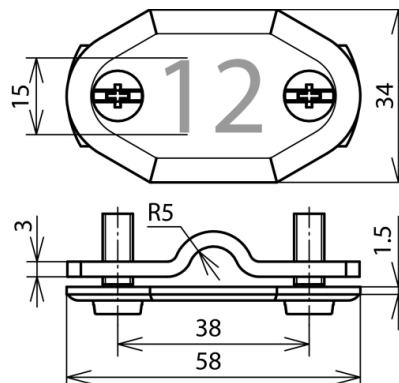


Figure without obligation

Type	NS 7.10 FL30 MZ 10 AL
Part No.	481 010
Material	Al
Number	10
Clamping range Rd / Fl	7-10 / 30 mm
Screw	☒ M6 x 16 mm
Material of screw	StSt
Standard	DIN 48821
Weight	26 g
Customs tariff number (Comb. Nomenclature EU)	83100000
GTIN	4013364161177
PU	1 pc(s)

We reserve the right to introduce changes in performance, configuration and technology, dimensions, weights and materials in the course of technical progress. The figures are shown without obligation.

Any other numbering or labelling of the number plates available upon request!