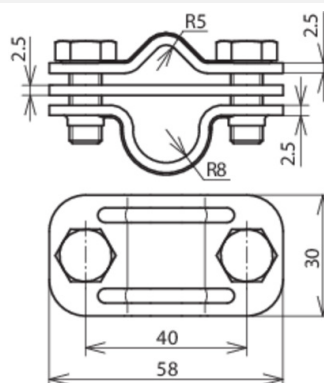




## UTK 8.10 16 ZP V2A (459 119)



Figure without obligation



Type	UTK 8.10 16 ZP V2A
Part No.	459 119
Material	StSt
Clamping range Rd / Rd	8-10 / 16 mm
Screw	⚙ M8 x 20 mm
Material of screw	StSt
Distance of screws	40 mm
Material thickness (t1)	2.5 mm
Standard	EN 62561-1
Weight	124 g
Customs tariff number (Comb. Nomenclature EU)	85389099
GTIN	4013364051379
PU	50 pc(s)

We reserve the right to introduce changes in performance, configuration and technology, dimensions, weights and materials in the course of technical progress. The figures are shown without obligation.