

**LH ZS 13 IGM8 STTZN ZG (275 113)**

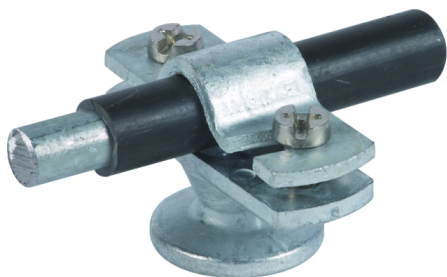
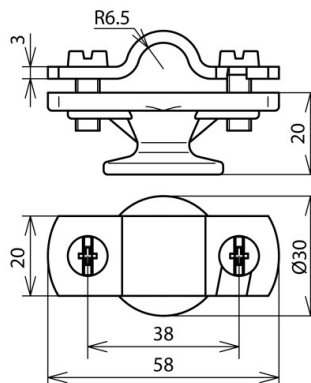


Figure without obligation



Type	LH ZS 13 IGM8 STTZN ZG
Part No.	275 113
Conductor holder support Rd	11-13 mm
Thread of conductor holder	M8
Height of conductor holder	20 mm
Material of cleat	St/tZn
Material of base part	ZDC
Conductor leading	fixed
Weight	82 g
Customs tariff number (Comb. Nomenclature EU)	85389099
GTIN	4013364095816
PU	50 pc(s)

We reserve the right to introduce changes in performance, configuration and technology, dimensions, weights and materials in the course of technical progress. The figures are shown without obligation.