



UEK 8.10 AQ4 50 HKSM8 V2A (540 250)

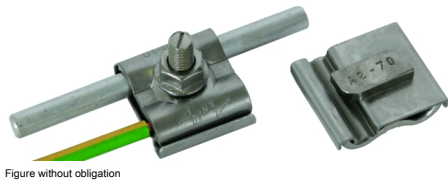
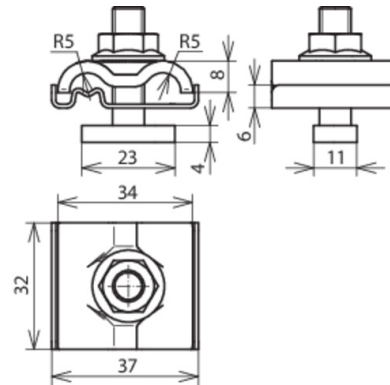


Figure without obligation



Earthing clamps for integrating mounting systems e.g. of PV installations into the functional equipotential bonding/functional earthing (optionally black conductor) and lightning equipotential bonding according to IEC/EN 62305-3.

The StSt contact plate (intermediate element) allows for different materials of conductors (Cu, Al, St/tZn and StSt) to be connected to the usual mounting systems, e.g. to aluminium, without the risk of contact corrosion.

The double cleat design allows for easy and quick interconnection of the profiles, e.g. by feed-through wiring.

Type	UEK 8.10 AQ4 50 HKSM8 V2A
Part No.	540 250
Material of clamp	StSt
Clamping range Rd	8-10 mm
Connection (solid / stranded)	4-50 mm ²
Screw	hammer-head bolt M8 x 30 mm
Self-locking nut	width across flats 13 mm
Material of screw / nut	StSt
Standard	EN 62561-1
Weight	60 g
Customs tariff number (Comb. Nomenclature EU)	85389099
GTIN	4013364138650
PU	50 pc(s)

We reserve the right to introduce changes in performance, configuration and technology, dimensions, weights and materials in the course of technical progress. The figures are shown without obligation.