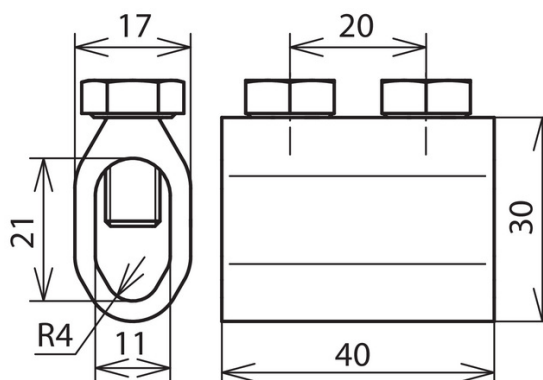




TM 8.10 8 AL (450 101)



Figure without obligation



Type	TM 8.10 8 AL
Part No.	450 101
Material	Al
Clamping range Rd / Rd	8-10 / 8 mm
Screw	⚙ M8 x 16 mm
Material of screw	StSt
Standard	EN 62561-1
Weight	44 g
Customs tariff number (Comb. Nomenclature EU)	85389099
GTIN	4013364094093
PU	50 pc(s)

We reserve the right to introduce changes in performance, configuration and technology, dimensions, weights and materials in the course of technical progress. The figures are shown without obligation.