



VK 6.22 FL40 KB6.10 BSB STBL (308 035)

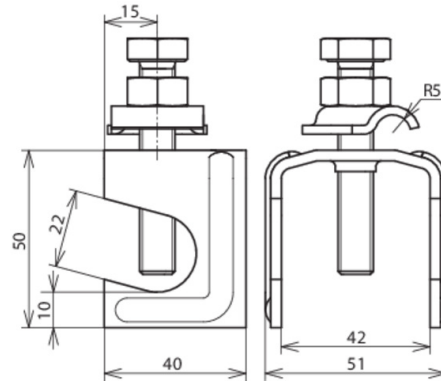


Figure without obligation

Type	VK 6.22 FL40 KB6.10 BSB STBL
Part No.	308 035
Material	St/bare
Clamping range Rd / Rd	(+II) 6-22 / 6-10 mm
Clamping range Rd / FI	(+) 6-22 / 40 mm
Screw	● M10 x 60 mm
Material of screw	St/bare
Standard	EN 62561-1
Short-circuit current (50 Hz) (1 s; ≤ 300 °C)	1.0 kA
Weight	165 g
Customs tariff number (Comb. Nomenclature EU)	85389099
GTIN	4013364123472
PU	25 pc(s)

We reserve the right to introduce changes in performance, configuration and technology, dimensions, weights and materials in the course of technical progress. The figures are shown without obligation.