



## UNI FK 8.10 KBF0.7 8 AL V2A (365 250)

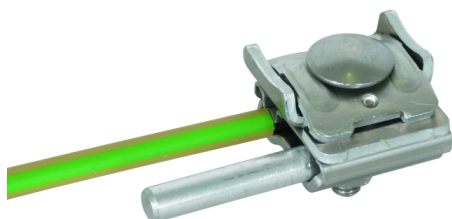
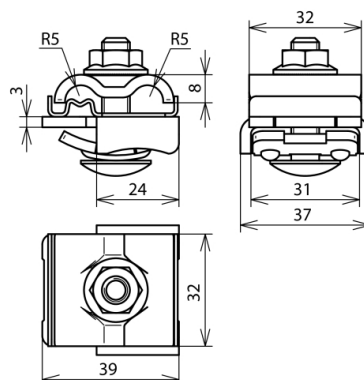


Figure without obligation



Saddle clamp for integrating the mounting systems e.g. of PV installations into the functional equipotential bonding/functional earthing (optionally black conductor) and lightning protection equipotential bonding according to IEC/EN 62305-3.

The StSt contact plate (intermediate element) allows for different conductor materials (Cu, Al, St/tZn and StSt ) to be connected to the usual mounting systems e.g. to aluminium, without risk of contact corrosion.

Easy and quick interconnection of profiles is possible e.g. by means of feed-through wiring due to the double cleat design.

Type	UNI FK 8.10 KBF0.7 8 AL V2A
Part No.	365 250
Clamping range of saddle	0.7-8 mm
Material of clamping bracket	Al
Material thickness	3 mm
Clamping range Rd	8-10 mm
Connection (solid / stranded)	4-50 mm <sup>2</sup>
Material of double cleat	StSt
Screw	⬆ M8 x 35 mm
Self-locking nut	width across flats 13 mm
Material of screw / nut	StSt
Connecting direction	lengthwise / crosswise
Standard	EN 62561-1
Weight	83 g
Customs tariff number (Comb. Nomenclature EU)	85389099
GTIN	4013364148307
PU	50 pc(s)

We reserve the right to introduce changes in performance, configuration and technology, dimensions, weights and materials in the course of technical progress. The figures are shown without obligation.