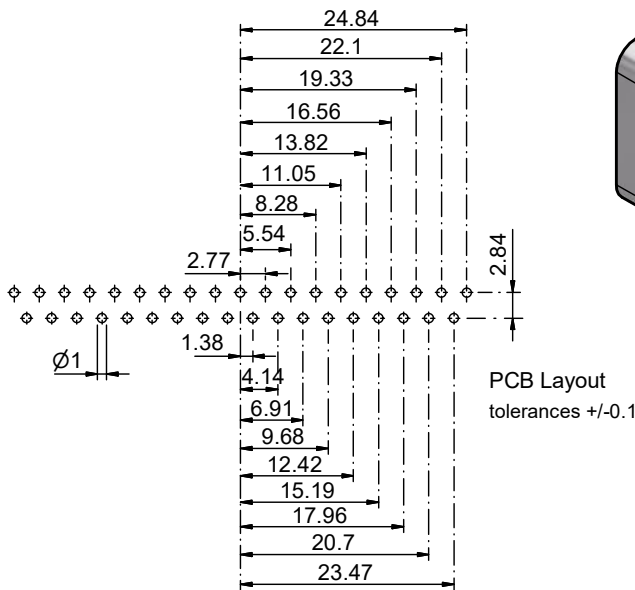
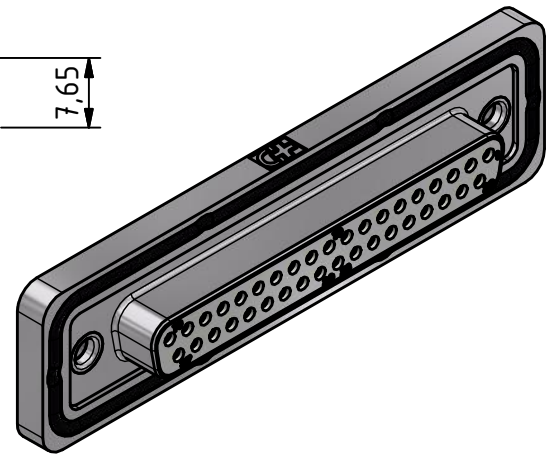
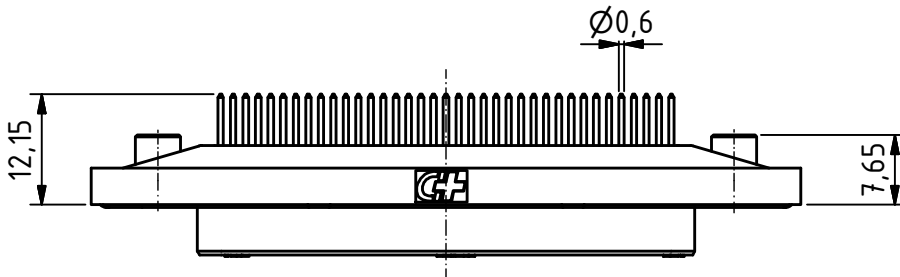
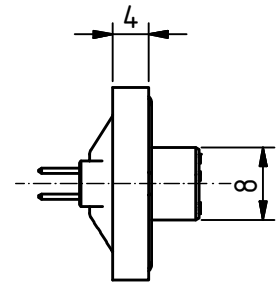
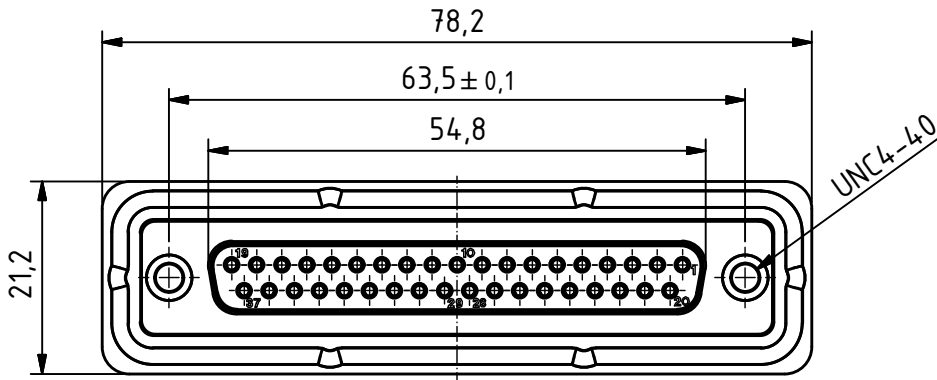


RoHS compliant



Waterproof IP68  
Frame with O-ring sealing for back panel mounting

**MATERIALS**

- Insulator: Thermoplastic UL 94-V-0 white
- Frame: Zinc diecasting nickel plated
- Contact: Machined / Copper alloy
- Contact finish: Quality class 2
- Shell: steel tin plated

**CHARAKTERISTICS**

- Working voltage: 125V
- Current rating: 7.5A
- Contact resistance: max. 10mΩ - DIN41652
- Insulation resistance: >5GΩ
- Temperature range: -55° to +125°C

General tolerances (Deltron standard)	
size in mm	
> 0.5	±0.3
up to 3	±0.2
up to 6	±0.2
up to 30	±0.2
up to 120	±0.3
tolerances	
±0.1	±0.2
±0.2	±0.2
±0.3	±0.3

modification	Rev.	Rev.	Rev.	DE017173		
	Rev.	Rev.	Rev.	part no.		
DTSWM37SY/2M85UN	1.2:1 scale	drawn	23.02.2016	mw		
		checked				
		approved				
		Industrie Neuhof 8c CH-3422 Kirchberg <a href="http://www.d-sub.swiss">www.d-sub.swiss</a>		K062426 drawing no.		