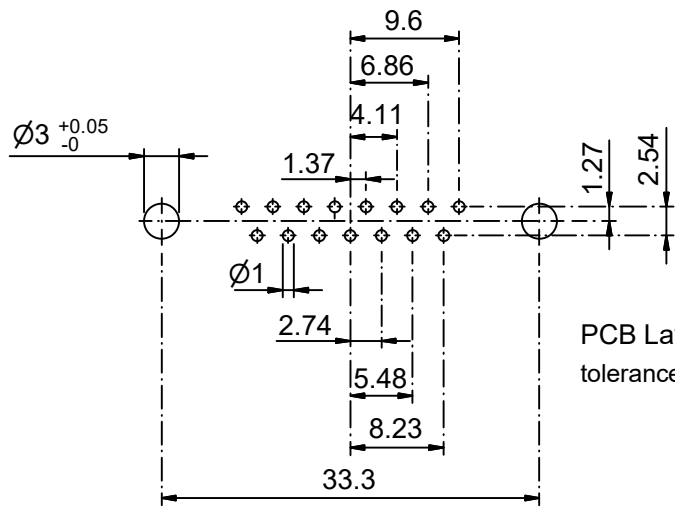
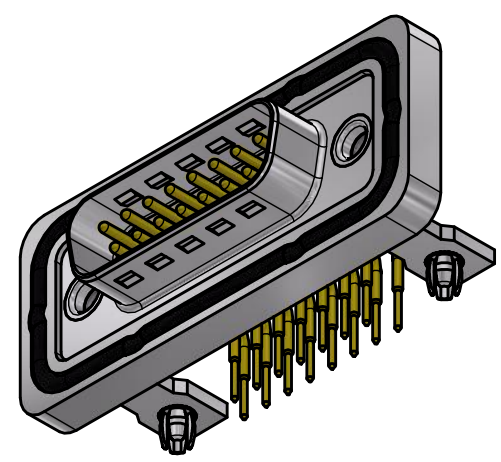
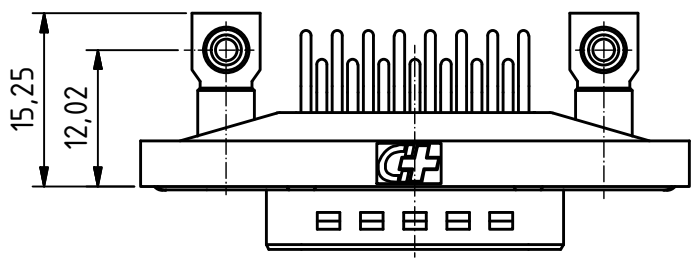
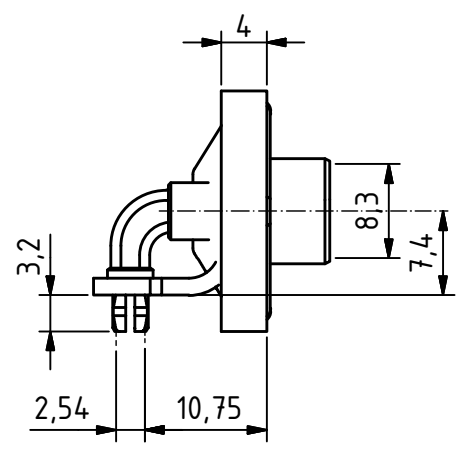
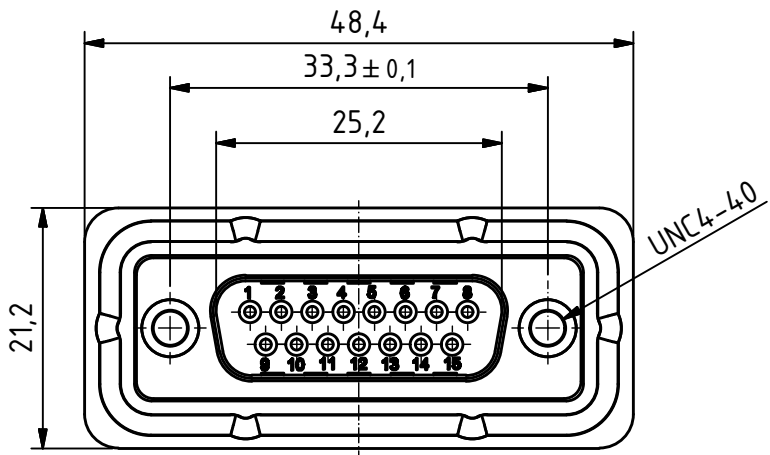


RoHS compliant



PCB Layout tolerances +/-0.1

General tolerances (Deltron standard)	
size in mm	
> 0.5 up to 3	±0.1
> 3 up to 6	±0.2
> 6 up to 30	±0.2
> 30 up to 120	±0.3
tolerances	
	±0.1
	±0.2
	±0.3

Waterproof IP68
Frame with O-ring sealing for back panel mounting

MATERIALS

- Insulator: Thermoplastic UL 94-V-0 white
- Frame: Zinc diecasting nickel plated
- Contact: Machined / Copper alloy
- Contact finish: Quality class 2
- Shell: steel tin plated

CHARAKTERISTICS

- Working voltage: 125V
- Current rating: 7.5A
- Contact resistance: max. 10mΩ - DIN41652
- Insulation resistance: >5GΩ
- Temperature range: -55° to +125°C

modification	Rev.	Rev.	Rev.	DE017072		
	Rev.	Rev.	Rev.	part no.		
DTSWM15PYC/2M4 7UN	1.5:1 scale	drawn	19.11.2015	mw		
		checked				
		approved				
		Industrie Neuhof 8c CH-3422 Kirchberg www.d-sub.swiss		K062347 drawing no.		