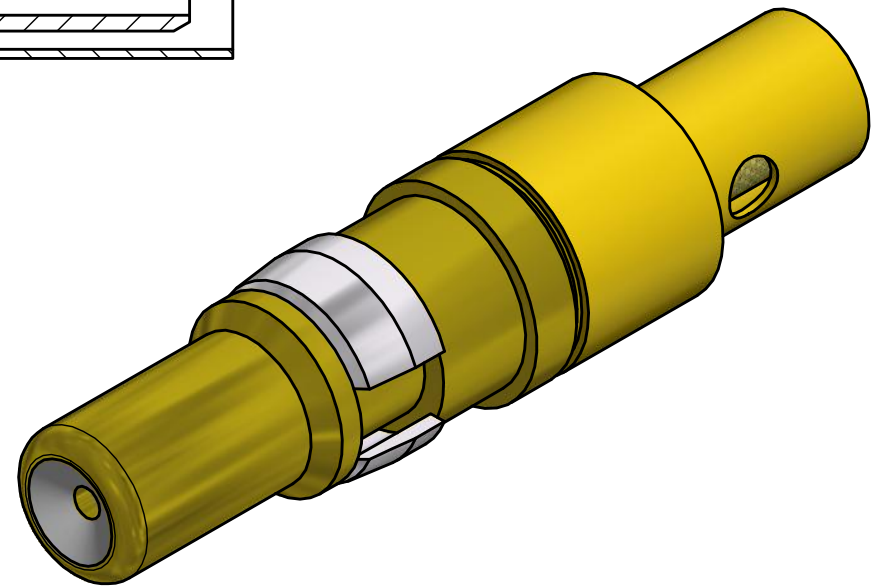
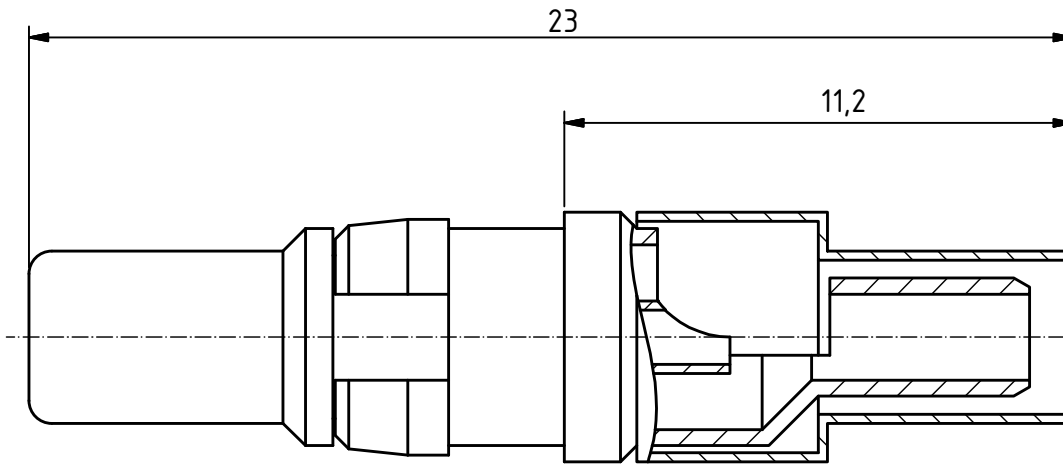


RoHS compliant




MATERIALS

- Contact: Copper alloy
- Contact finish: Quality class 2

CHARACTERISTICS

- 50 Ohm
- Cable: 174-U + 188-A/U + 316-U

modification	Rev.	Rev.	Rev.	DE001075 part no.			
	Rev.	Rev.	Rev.				
Coax-PZ-2-50/2				6:1 scale	drawn	26.02.2013	mr
					checked		
					approved		
 CONNECT 2 CUSTOMIZE		Industrie Neuhof 8c CH-3422 Kirchberg www.d-sub.swiss		K061275			
				drawing no.			