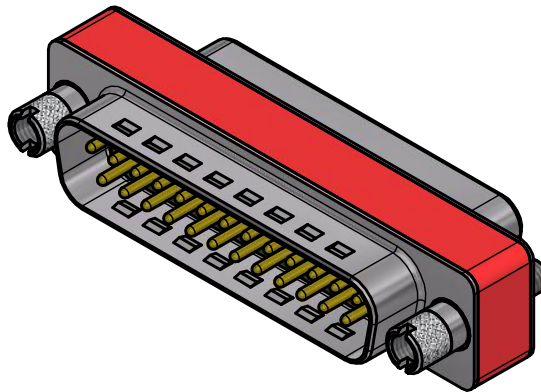
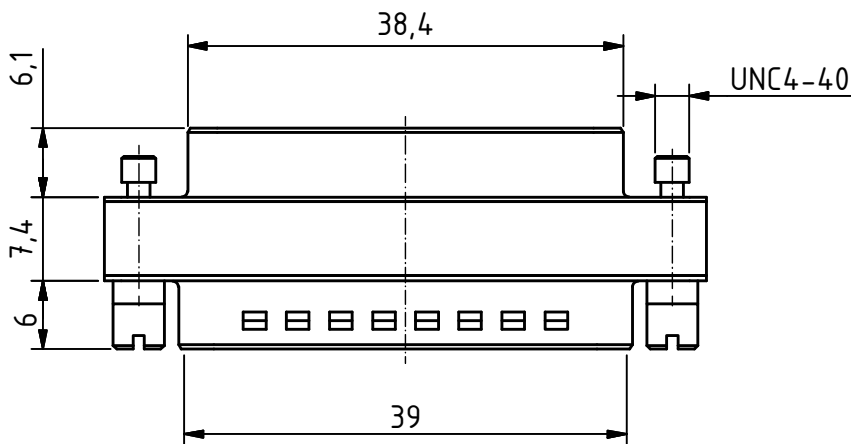
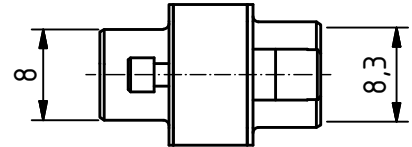
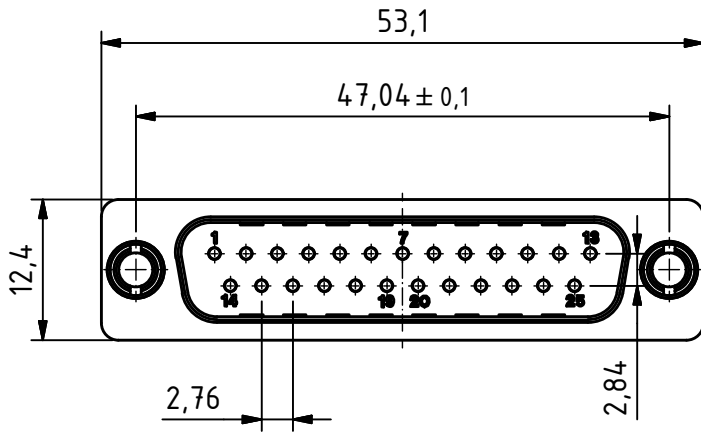


RoHS compliant



Capacitor value 1'000 pF

**MATERIALS**

- Insulator: Thermoplastic UL 94-V-0 black
- Frame: Thermoplastic UL 94-V-0 red
- Contact: Machined / Copper alloy
- Contact finish: Quality class 2
- Shell: steel tin plated

**CHARAKTERISTICS**

- Working voltage: 100V
- Current rating: 7.5A
- Contact resistance: max. 10mΩ - DIN41652
- Insulation resistance: >1GΩ
- Temperature range: -55° to +125°C

General tolerances (Deltron standard)			
size in mm	> 0.5 up to 3	> 3 up to 6	> 6 up to 120
Tolerances	±0.1	±0.2	±0.3

modification	Rev.	Rev.	Rev.	DE005679		
	Rev.	Rev.	Rev.	part no.		
DFA25P/25S/2FP102UN	1.5:1 scale	drawn	21.10.2016	mw		
		checked				
		approved				
		Industrie Neuhof 8c CH-3422 Kirchberg <a href="http://www.d-sub.swiss">www.d-sub.swiss</a>		K062598 drawing no.		