

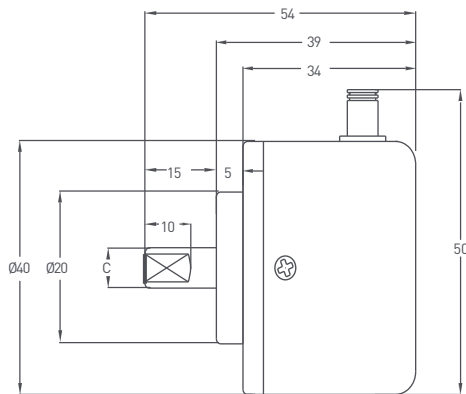
INCREMENTAL

- 300 - 1250 ppr. resolution
- Incremental encoder output
Push-Pull, TTL, Linedriver or HLD output

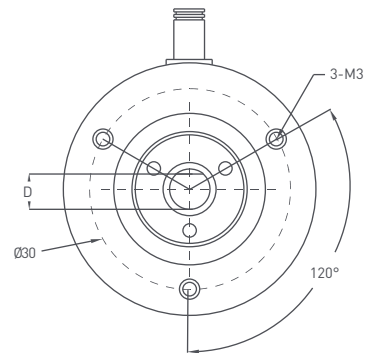


Technical Specifications	
Resolution	300 - 1250 ppr.
Output channels	A, B, Z or A, \bar{A} , B, \bar{B} , Z, \bar{Z}
Output type	TTL, Linedriver, Push-Pull, HLD
Power supply	5 VDC, 5-24 VDC or 8-24 VDC
Power consumption (without load)	<40 mA (24 VDC)
Cable	2,5 meter (standard) 5 wire + shield (Push-Pull) 2,5 meter (standard) 8 wire + shield (Linedriver)
Max. permissible shaft loading radial	80 N
Displacement speed	3500 rpm
Rod diameter	$\varnothing 4 - 6$ mm
Rod material	Stainless steel
Case dimensions	$\varnothing 40$ mm
Case material	Aluminium and painted steel
Protection level	IP 54
Operating temperature	-20° ... +80°
Storage temperature	-30° ... +90°

Mechanical Specifications



Rod Type / Radial



PRI 40	R (rod)	
	C	D
	$\varnothing 4$ mm	3.30mm
$\varnothing 6$ mm	5.30mm	

Push-Pull Cable Output

+V : Brown
0V : White
GND : Shield
Ch A : Yellow
Ch B : Green
Ch Z : Gray

TTL - HLD - Linedriver Cable Output

+V : Brown
0V : White
GND : Shield
Ch A : Yellow
Ch B : Green
Ch Z : Gray
Ch A inv. : Blue
Ch B inv. : Red
Ch Z inv. : Pink

Ordering Procedure

Model	Case diameter	Case type	Rod diameter	Output type	Resolution	Output signal	Power supply	Connector / Cable	Cable output
PRI	40	A	R6	HLD	300	Z	V2	2M5	R
PRI	40: 40mm	A: Clamping flange	R4 : 4mm R6 : 6mm	LTP : Push-Pull LD : Linedriver HLD : HLD Linedriver TT : TTL	300 - 1250 ppr.	Z : A, B, Z B : \bar{A} , B Z \bar{Z} : $\bar{A}\bar{A}$, $\bar{B}\bar{B}$, $\bar{Z}\bar{Z}$	V1 : 5 VDC V2 : 8 - 24 VDC V3 : 5 - 24 VDC	2M5 : 2,5 meter cable 5M : 5 meter cable	R : Radial