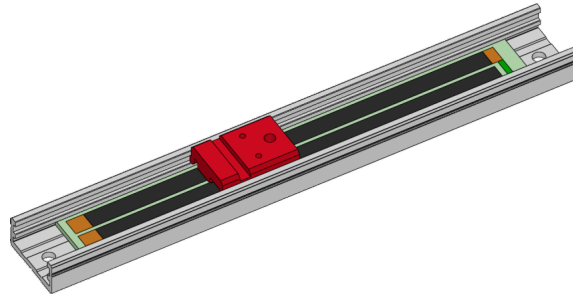


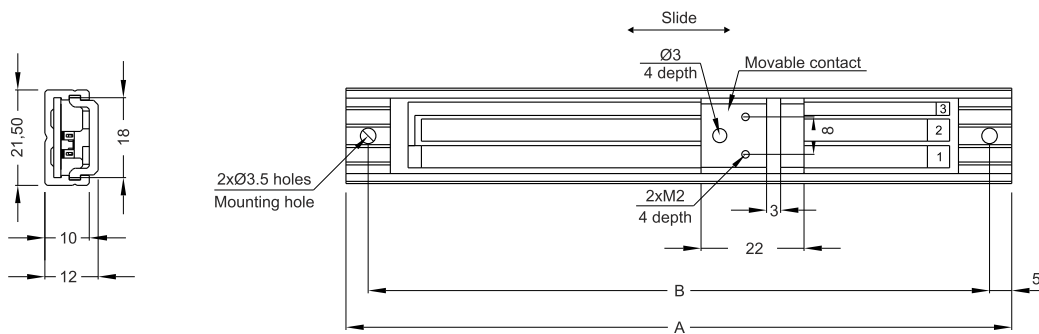
Linear potentiometers Standard series

- Measuring range 50 - 1000 mm
- Long mechanical life 100 million cycles
- Excellent repeatability <0.01 mm
- Infinite resolution
- 5 KOhm or 10 KOhm



Technical specifications

Measurement stroke	50 to 1000 mm
Linearity	± %0,05 (>200mm), ±%0,1 (130-200mm), ±%0,2 (75 - 130mm), ±%0,5 (<75mm)
Repeatability	< 0.01 mm
Resolution	Infinite
Resistance	5 KOhm or 10 KOhm
Resistance tolerance	± %20
Load resistance	100 KOhm min.
Recommended cursor current	< 1 μA
Permissible applied voltage	28 VDC max.
Displacement speed	< 5 m/s
Mechanical life	100 million cycles
Case dimensions	21,5 mm x 10 mm
Case material	Anodized aluminium
Operating temperature	-20°C ... +80°C
Storage temperature	-30°C ... +90°C



OPH (mm)	50	100	150	200	250	300	350	400	450	500	550	600	650	700	750	800	850	900	1000
A±1	100	150	200	250	300	350	400	450	500	550	600	650	700	750	800	850	900	950	1050
B±05	90	140	190	240	290	340	390	440	490	540	590	640	690	740	790	840	890	940	1040

Model	Measurement stroke (mm)	Linearity (%)	Resistance (KOhm)
(example) OPH	500	D	5K
OPH	50 ... 1000 mm	D : ± %0,05 (>200mm) ± %0,1 (130-200mm) ± %0,2 (75-130mm) ± %0,5 (<75mm)	5K : 5 KOhm 10K : 10 KOhm