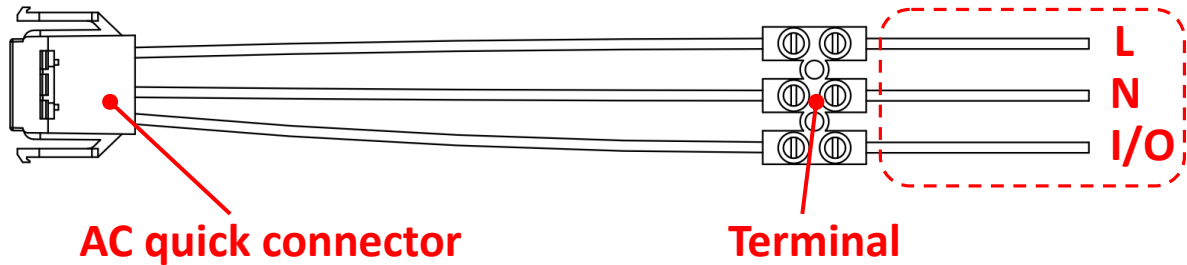
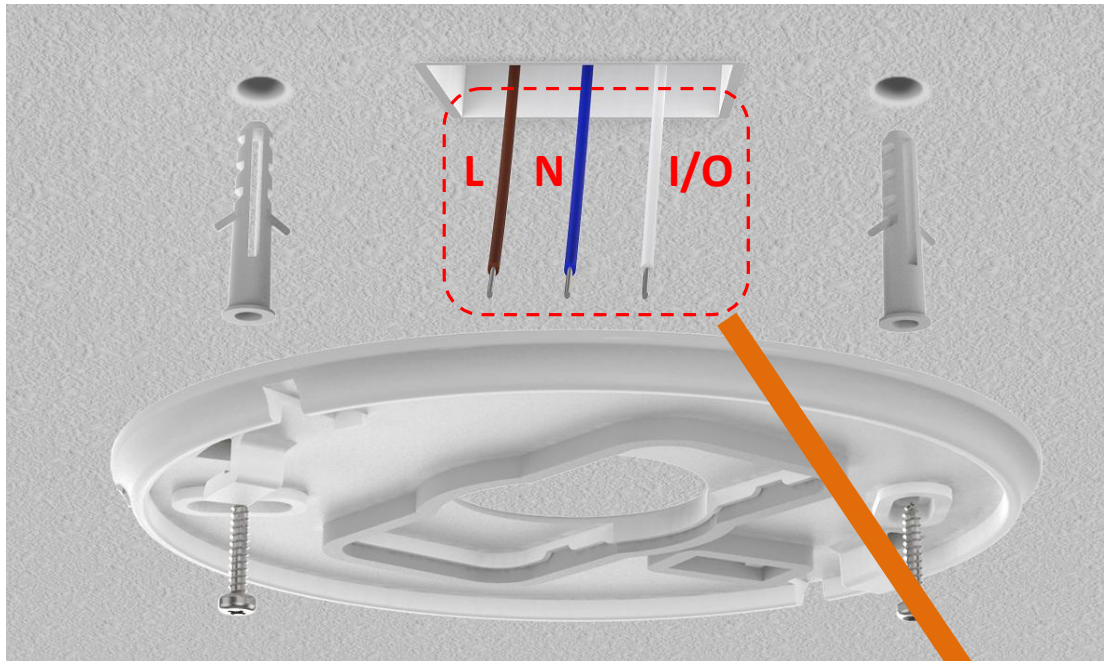


GS517/518 installation instructions without base

You need to punch a hole in the ceiling where installation the smoke alarm.

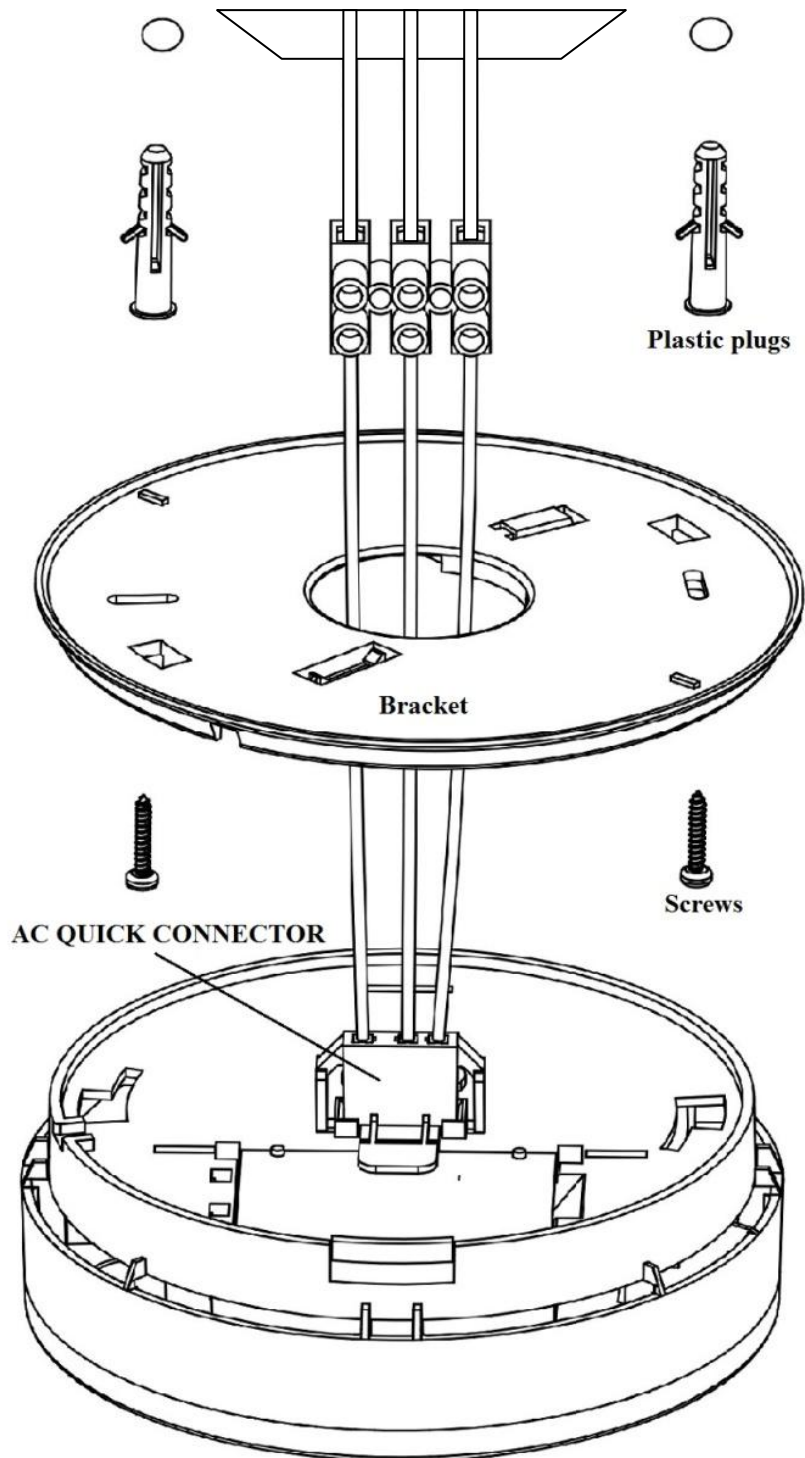


AC quick connector

Terminal

(You can buy it at your local hardware store)

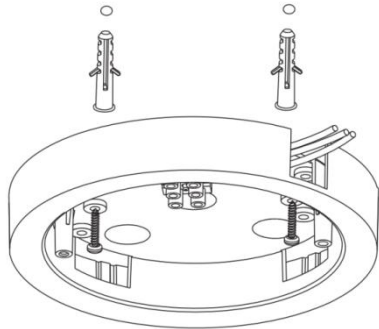
Installation sketch map:



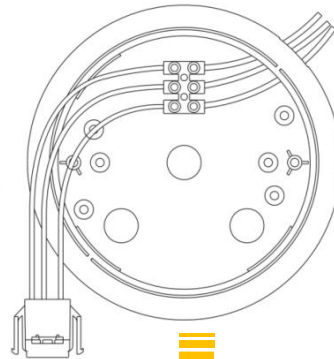
GS517/518 installation instructions with base

You do not need to punch a hole in the ceiling

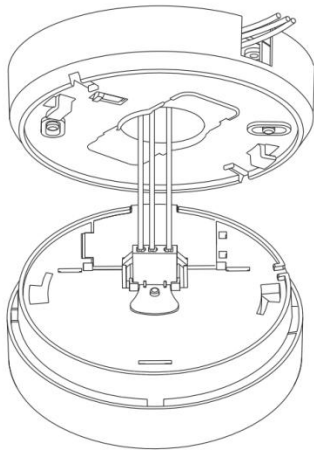
1. Fix the base on ceiling with screws and plastic plugs



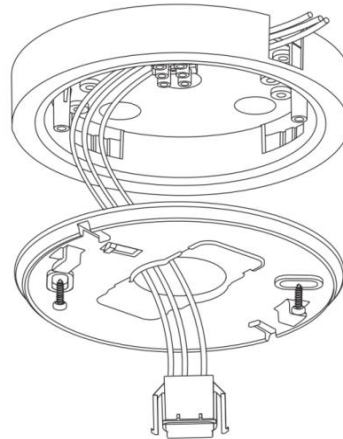
2. Right connect the AC quick connector with L, N, I/O wires



4. Insert the AC quick connector to the product which needs to be connected with this base.



3. Fix the bracket in the base with screws.



5. Fit the product in the base.

