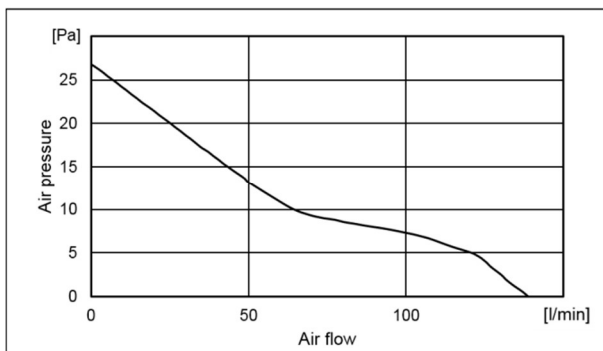


LF40J12 Series

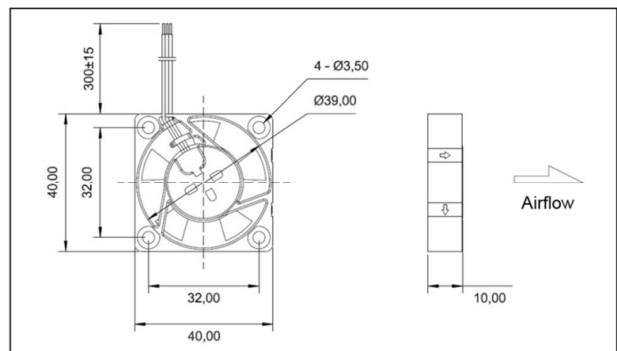
ECO-FAN



AIR PERFORMANCE



SHAPE AND DIMENSION



Lead wire: AWG28
 blk=GND, red=Vpp, (yellow=FG)
 No obstruction within 1mm from air intake side

PERFORMANCE

CE	LF40J12SE22		LF40J12FSE14A	
	Operating voltage	[VDC]	10.2 ... 12.0 ... 13.8	
Typ. operating current	[mA]	30		
Max. start current	[mA]	110		
Max. air flow	[l/min – m ³ /h]	139 – 8.3		
Max. pressure	[Pa – mmH ² O]	27 – 2.7		
Typ. noise (1m dist. from air intake side)	[dB(A)]	20		
Typ. rotor speed	[RPM]	6000		
FG	[PPR]	-	2	
Operating temperature	[°C]	-10 ... +85		
Life expectancy L10/MTBF@ 40°C	[h]	50000/400000		
Bearing system		MAGFIX sleeve bearing		
Weight	[g]	14		
Standard packing quantity	[Pcs.]	50-100-500		

This **SEPA**® high-tech miniature fan is suitable for industrial or automotive use and has a remarkable air flow performance despite its small dimensions. Thanks to the extremely low power input, this fan is highly suitable for battery-operated devices. It is permanently protected electrically against reverse polarity, blocking and thermal overloading. Due to the low rotor weight and precision balancing, it is virtually vibration-free. It is also insensitive to shock.

Technical changes without notice • 03/19

LF40J12 Series

ECO-FAN



Further features of this fan are its extremely robust and torsionally stiff plastic housing of PBT, polyester-based PCB, the Magfix bearing system and absolute reliability due to a 100% burn-in.

• ALARM OUTPUT

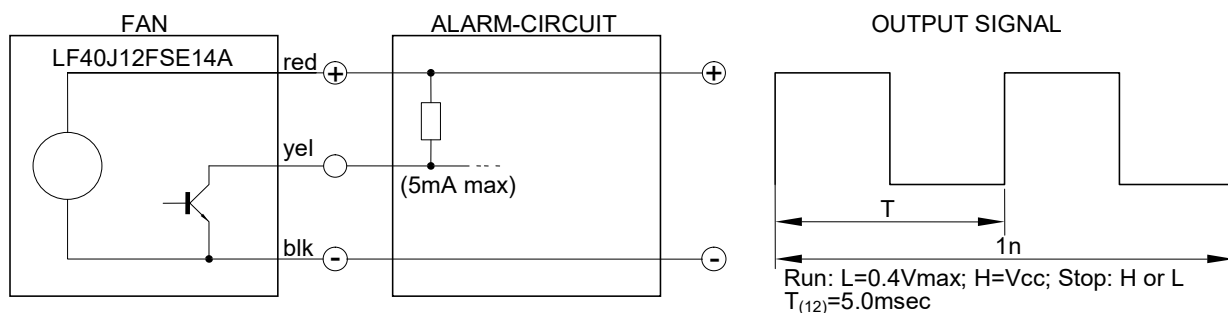
The **SEPA**® fan LF40J12FSE14A includes a pulse output, which allows monitoring the correct function of the fan.

The pulse is like a rectangular wave, the frequency correlates to 2x rotor speed. The amplitude is about 5V_{ss} and appears periodically. At blocked rotor the output signal could be L ($\leq 0,4V$) or V_{cc}.

IMPORTANT: The pulse output is not protected against short circuit and must not connect to GND or V_{cc} without pre-resistor. A pull-up-resistor is needed. Do not connect not used pulse output (insolate).

The fans LF40J12.SE14A have tinned lead wire ends (without connector).

Do not touch the rotor! Please note the handling specification!



• ACCESSORIES:

Connector: on request

• ORDER INFORMATION

LF40J12SE22	SEPA ® ECO-FAN, 40x40x10mm, 12VDC, Magfix sleeve bearing, CE	111111404
LF40J12FSE14A	SEPA ® ECO-FAN, 40x40x10mm, 12VDC, Magfix sleeve bearing, FG, CE	111111402

SEPA® is the brand name for fans and CPU-cooler, made by Nippon Keiki Works LTD., Tokyo

Technical changes without notice • 03/19