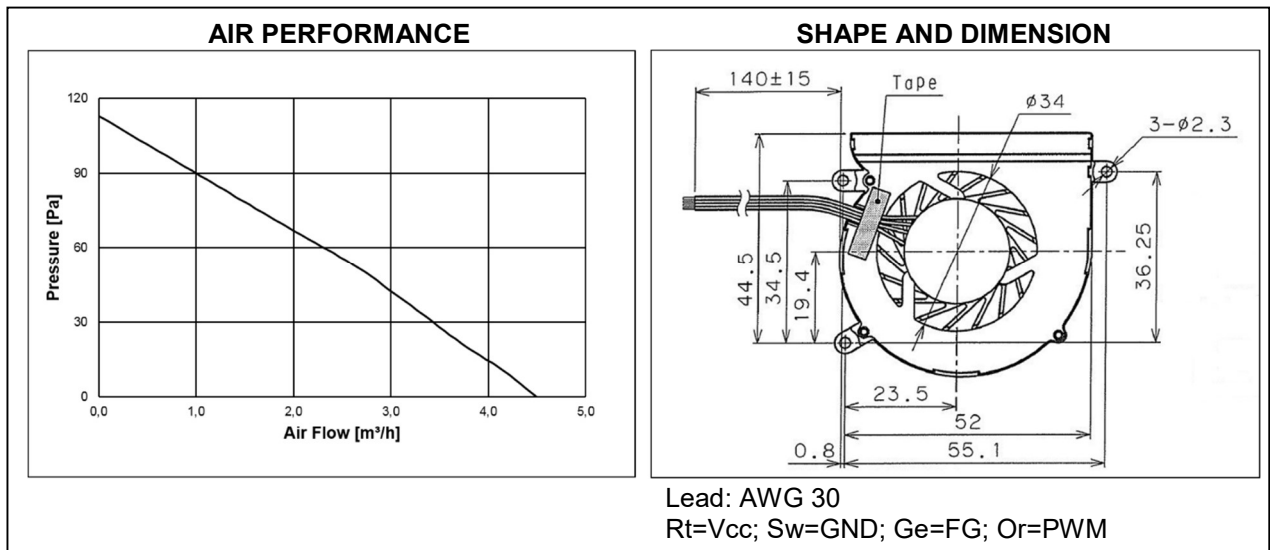


HY52A05

Eco Fan



PERFORMANCE

CE	HY52A05PSE25A	
Operating voltage	[VDC]	4.5 ... 5 ... 5.5
Typ. operating current	[mA]	130
Max. start current	[mA]	400
Max. air flow	[l/min – m³/h]	75 – 4.5
Max. pressure	[Pa – mmH ² O]	113 – 11.5
Typ. noise (1m dist. from air intake side)	[dB(A)]	33
Typ. rotor speed	[min ⁻¹]	5700
FG	[Imp/rotation]	2
PWM-Input voltage	[VDC]	2.5 ... Vcc
Operating temperature	[°C]	-10 ... +60
Life expectancy L10/MTBF@ 40°C	[h]	50000/400000
Bearing system		Magfix sleeve bearing
Weight	[g]	17
Packing unit	[St.]	50-100-500

This **SEPA**® high-tech radial fan is suitable for industrial or automotive use and has a remarkable air flow performance despite its small dimensions. Thanks to the extremely low power input, this fan is highly suitable for battery-operated devices. It is permanently protected electrically against reverse polarity, blocking and thermal overloading. Due to the low rotor weight and precision balancing, it is virtually vibration-free. It is also insensitive to shock.

Subject to technical changes • 03/19

HY52A05

Eco Fan

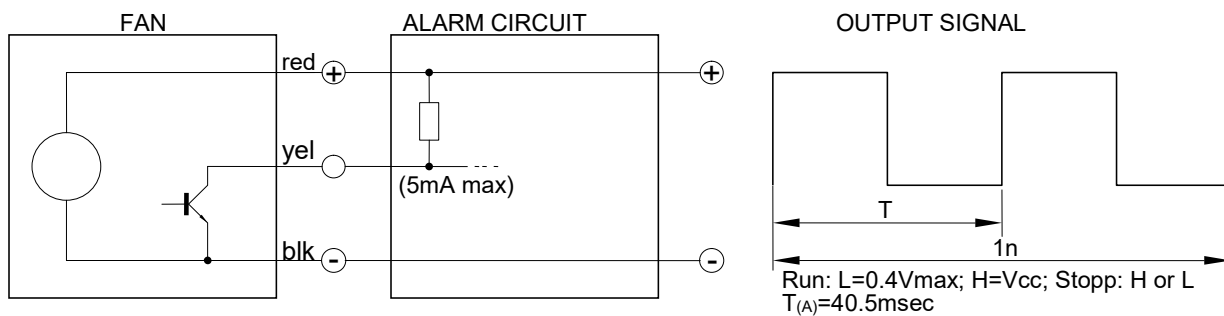


• ALARM SIGNAL

The **SEPA**® fan HY52A05PSE52A includes a pulse output which allows monitoring the correct function of the fan.

The pulse is like a rectangular wave, the frequency correlates to 2x rotor speed. The amplitude is about 5Vss and appears periodically. At blocked rotor the output signal could be L ($\leq 0,3V$) or H (5 V).

IMPORTANT: The pulse output is not protected against short circuit and must not connect to GND or Vcc without pre-resistor. A pull-up-resistor is not needed. Do not connect not used pulse output (insolate).



• PWM

The **SEPA**® fans HY52A05PSE52A includes a TTL compatible PWM control input:

- L=0...0.7 Vmax; H=2.5...Vcc
- f=23 kHz
- Pulse width modulation 30...100%
- Duty cycle minimum 35%
- If fan power supply is off, do not input control signals into the PWM terminal!

The fans HY52A05PSE52A have tinned lead wire ends (without connector).

Do not touch the rotor! Please note the handling specification!

• ACCESSORIES

Connector: on request

• ORDER INFORMATION

HY52A05PSE52A **SEPA**® Radial fan, 52x52x8mm, 5VDC, Magfix sleeve bearing, Tacho, PWM, **CE** 111111349

SEPA® is the brand name for fans and CPU cooler made by Nippon Keiki Works LTD., Tokyo

Subject to technical changes • 03/19