

# ENTES



## NEW "A SERIES" CURRENT TRANSFORMERS

The new "A Series" current transformers carry the quality of ENTES to the first point of measurement.

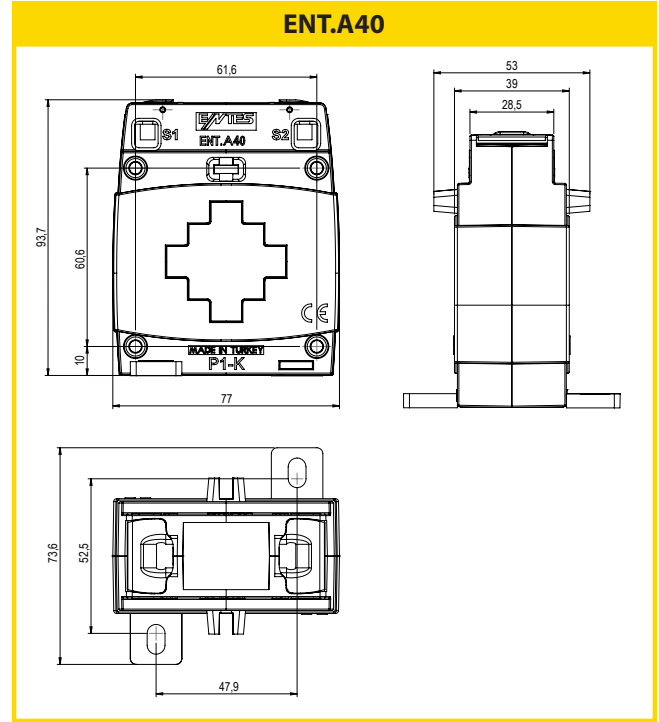
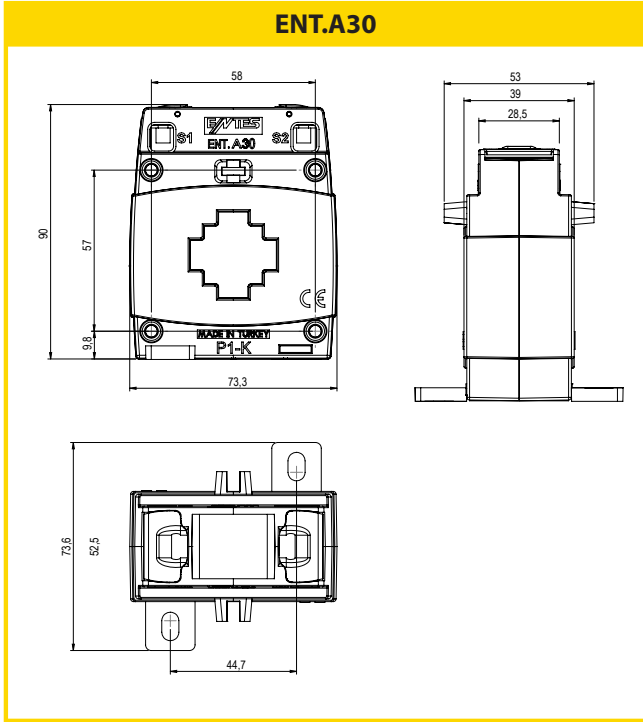
ENT.A30 and ENT.A40 series current transformers ensure measuring currents with the highest accuracy.

Thanks to 5A secondary current, the new "A Series" current transformers can be safely used together with ENTES devices in both PFC and Energy Efficiency product groups.

- Series from 20A to 600A primary current
- Class 0,5 and Class 1 accuracy class
- Design and production accordance with international standards



	Type	Primary Current (A)	Secondary Current (A)	Nominal Power (VA)	Accuracy Class	Technical Specifications
ENT.A30 Series	Wound	20,25,30,40,50,60,75,80,100,125,150	5	5	Class 1	<b>f</b> : 50-60 Hz <b>Ui</b> : 3kV eff, 1min. <b>Um</b> : 0,72 kV <b>Ith</b> : 60 x pr <b>Thermal Class</b> : B (130°C) <b>n</b> : <5 <b>Operation Temp.</b> : -5°C ... +40°C <b>Enclosure</b> : UL94 V-0 Plastic <b>Standarts</b> : TS EN 61869-2 IEC 61869-2
	Wound	200,250,300	5	10	Class 0,5	
ENT.A40 Series	Wound	300,400,500,600	5	10	Class 0,5	



#### HEADQUARTERS

Address: Dudullu OSB; 1. Cadde; No: 23 34776 Ümraniye - İSTANBUL / TÜRKİYE Tel: +90 216 313 01 10 Fax: +90 216 314 16 15 Sales Fax: +90 216 365 71 71  
E-mail: [impex@entes.com.tr](mailto:impex@entes.com.tr) Web: [www.entes.com.tr](http://www.entes.com.tr) E-bulletin membership: [ebulten@entes.com.tr](mailto:ebulten@entes.com.tr) Coordinates: 40,995852 N, 29,178398 E

#### INTERNATIONAL BRANCH OFFICES

İSTANBUL : [impex@entes.com.tr](mailto:impex@entes.com.tr) Tel: +90 216 313 01 10 Fax: +90 216 314 16 15  
GERMANY : [info@enteselektronik.com](mailto:info@enteselektronik.com) Tel: +49 (0) 7022 6047415  
NETHERLANDS : [info@entes.eu](mailto:info@entes.eu) Tel: +31 412 - 644319  
GREECE : [infohellas@entes.eu](mailto:infohellas@entes.eu) Tel: +30 2310 706999 +30 2310 707296

© ENTES Elektronik Cihazlar İmalat ve Ticaret A.Ş.

