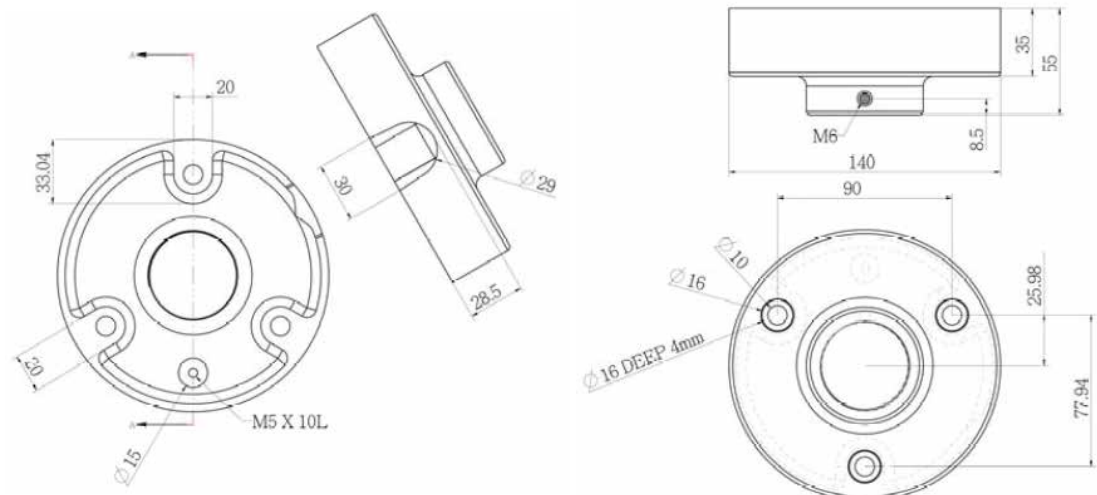




AM-118

Pendant Mount

Technical Specifications

Model:	AM-118
Material	Aluminum Alloy
Box Dimension	Length: 174 Width: 163 Height: 74 (mm)
Color	White
Weight	595 g
Drawing	 <p>The drawing includes the following dimensions and features:</p> <ul style="list-style-type: none"> Top View: Shows a circular base with a central hole. Dimensions include a diameter of 33.04 mm, a distance of 20 mm from the center to the top edge, and a diameter of 15 mm for the mounting holes. A note indicates 'M5 X 10L' for the mounting holes. Side View: Shows the profile of the component with a total height of 55 mm and a top flange thickness of 35 mm. A diameter of 28 mm is shown for the main body. Front View: Shows the threaded top with an M6 thread. Dimensions include a diameter of 140 mm for the top flange, a diameter of 90 mm for the main body, and a diameter of 16 mm for the mounting holes. A note indicates 'Ø 16 DEEP 4mm' for the mounting holes. The distance from the center to the top edge is 25.98 mm, and the total height from the base to the top of the flange is 77.94 mm.

P/N No.: 900014600G