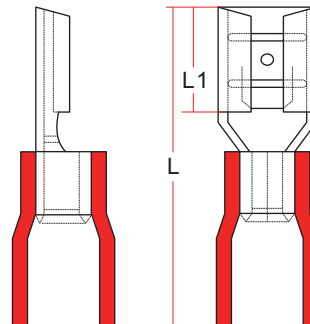


Data Sheet

Insulated Crimp Female Disconnecter Set



Insulator material: Vinyl
 Terminal material: Tinned Brass
 Working Temperature: 75°C max.
 Rating voltage: 600 V/AC max.
 Rating current:
 Red - 9 Amp. max.
 Blue - 15 Amp. max.
 Yellow - 20 Amp. max.



Type	Dimension(mm)			Wire range	Color	Contents
	TAB	L1	L			
T1904C040	0.8 x 2.8 mm	6.5	18.6	0.5-1.5 mm ² 22-16 AWG	Red	25pcs
T1904C041	0.8 x 2.8 mm	6.5	18.6	1.5-2.5 mm ² 16-14 AWG	Blue	25pcs
T1904C106	0.8 x 4.8 mm	6.5	19.0	0.5-1.5 mm ² 22-16 AWG	Red	25pcs
T1904C107	0.8 x 4.8 mm	6.5	19.0	1.5-2.5 mm ² 16-14 AWG	Blue	25pcs
T1904C038	0.8 x 6.3 mm	7.7	21.0	0.5-1.5 mm ² 22-16 AWG	Red	25pcs
T1904C039	0.8 x 6.3 mm	7.5	20.5	1.5-2.5 mm ² 16-14 AWG	Blue	25pcs
T1904C108	0.8 x 6.3 mm	7.5	23.5	4.0-6.0 mm ² 12-10 AWG	Yellow	15pcs