

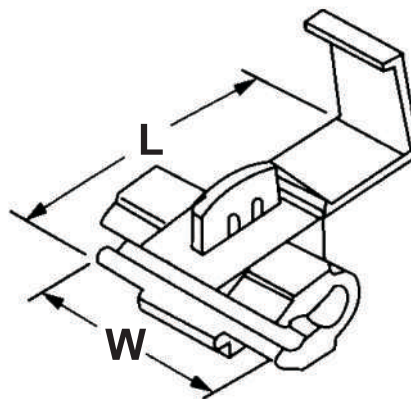
Item no.: 2109168 / 2109211 / 2109207

## Data Sheet

### Quick Splice Connector Set



Insulator material: PP  
 Terminal material: Brass  
 Working Temperature: 75°C max.  
 Rating voltage: 600 V/AC max.  
 Rating current:  
 Red - 9 Amp. max.  
 Blue - 15 Amp. max.  
 Yellow - 20 Amp. max.



Item	Type	Dimension (L x W)	Wire range	Color	Contents
2109168	T1904C036	20 x 26 mm	0.5-1.0 mm <sup>2</sup> 22-18 AWG	Red	10pcs
2109211	T1904C037	20 x 27 mm	0.75-2.5 mm <sup>2</sup> 18-14 AWG	Blue	10pcs
2109207	T1904C105	21 x 30.5 mm	4.0-6.0 mm <sup>2</sup> 12-10 AWG	Yellow	10pcs