

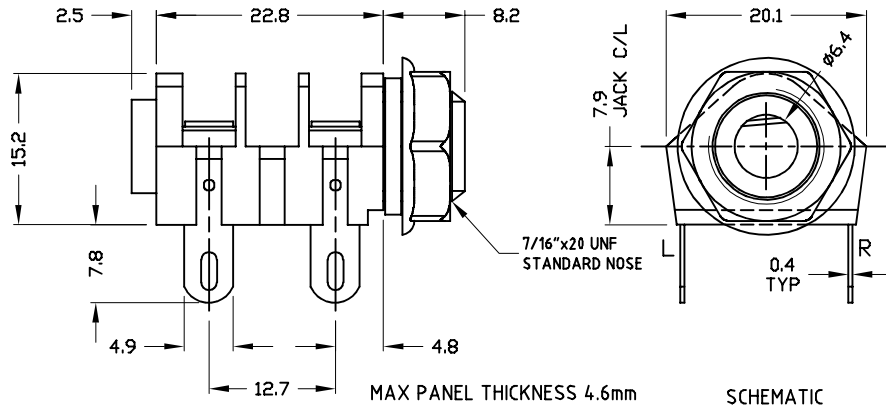
# CLIFF

## GOLD SWITCHED JACK SOCKETS

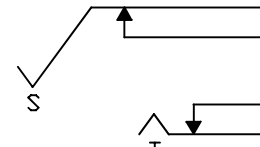
### 6.35mm JACK SOCKET



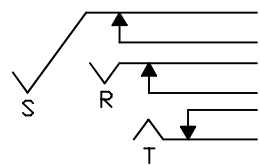
**CL11607**



**SCHMATIC**



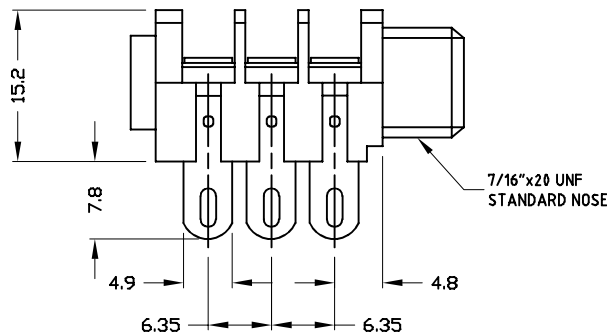
**MONO (BNB) JACK**  
SWITCH CONTACTS OPEN WHEN PLUG IS INSERTED + CLOSE WHEN PLUG IS WITHDRAWN.



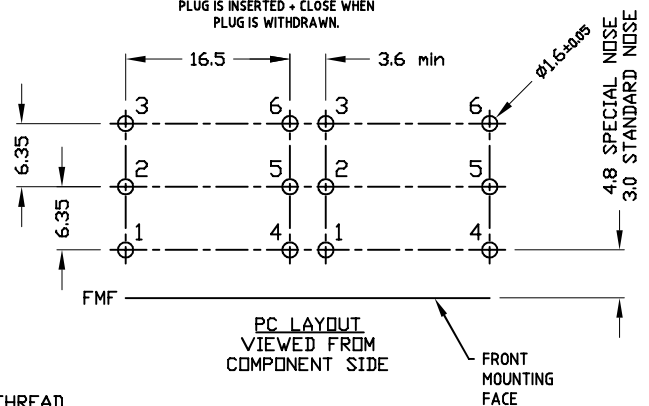
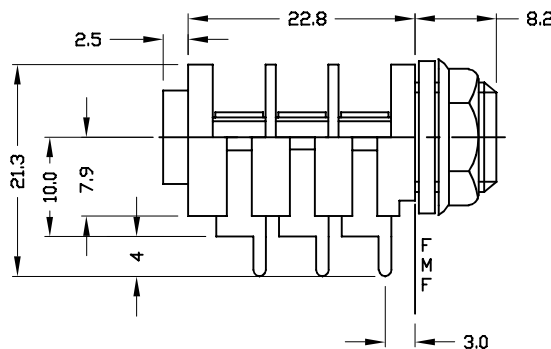
**STEREO (BBB) JACK**  
SWITCH CONTACTS OPEN WHEN PLUG IS INSERTED + CLOSE WHEN PLUG IS WITHDRAWN.



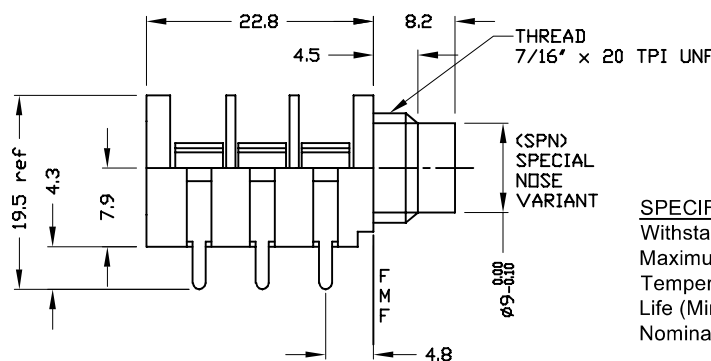
**CL12207**



**CL12327**



**CL12345**



**SPECIFICATION**

Withstand voltage:	2000V DC Min.
Maximum Current:	5A
Temperature Rating:	-10° C to +70° C
Life (Minimum):	10,000+ Operations
Nominal Contact Resistance:	<50mΩ

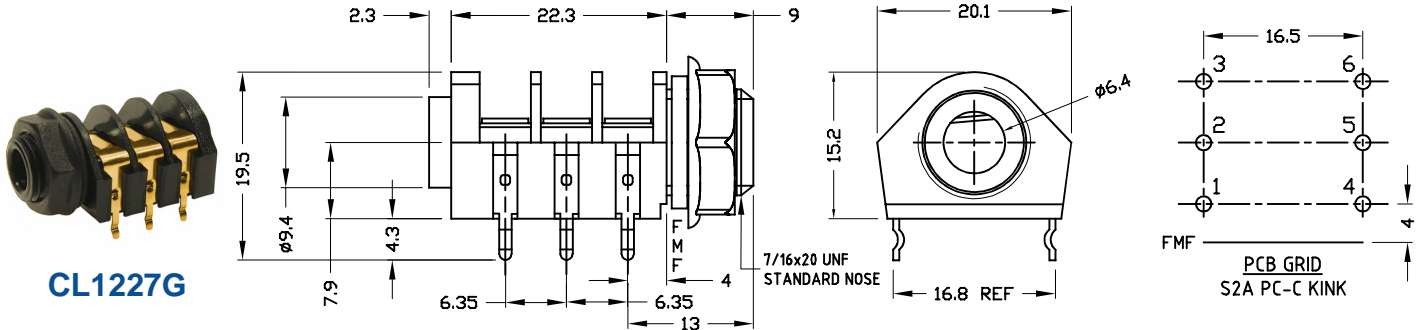
**DESCRIPTION**

- CL11607** - Jack Socket Mono S2/BNB Solder Tag
- CL12207** - Jack Socket Stereo S2/BBB Solder Tag
- CL12327** - Jack Socket Stereo S2/BBB PC Tag Type A.
- CL12345** - Jack Socket Stereo S2/BBB Special Nose PC Tag Type C. No nut or washers.

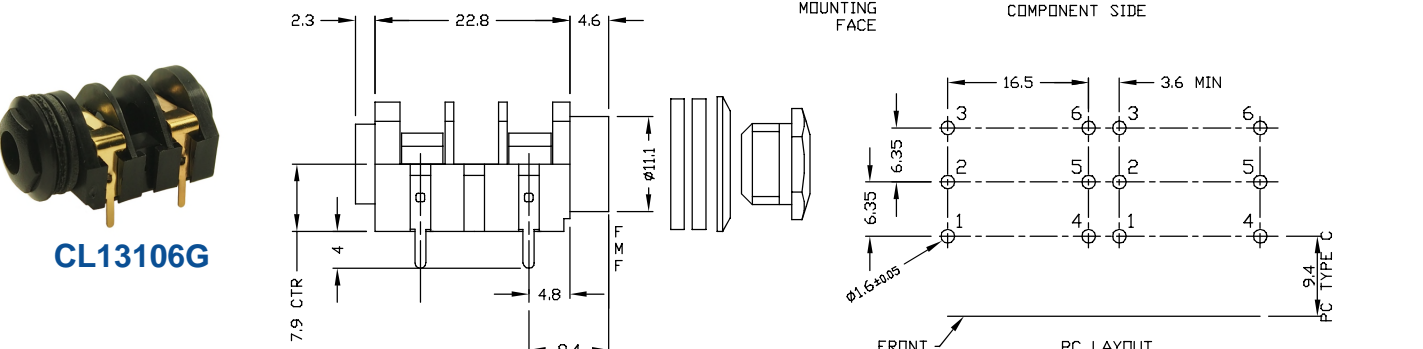
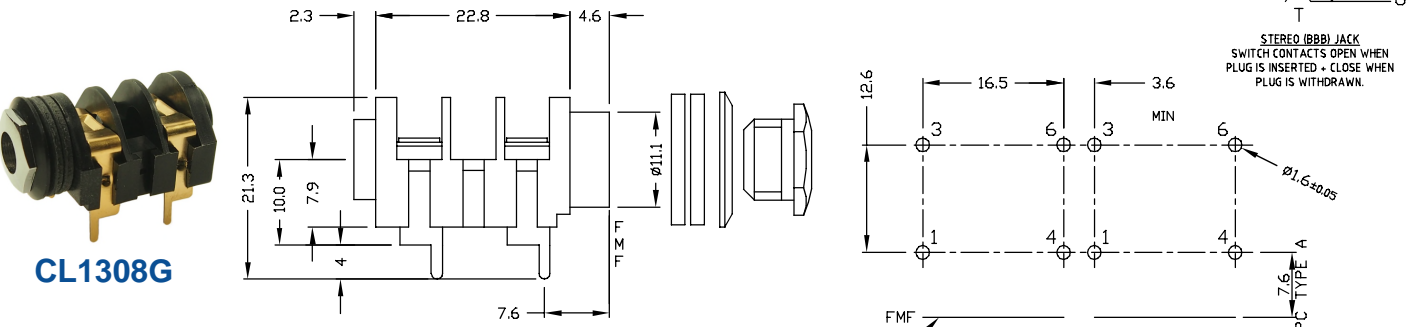
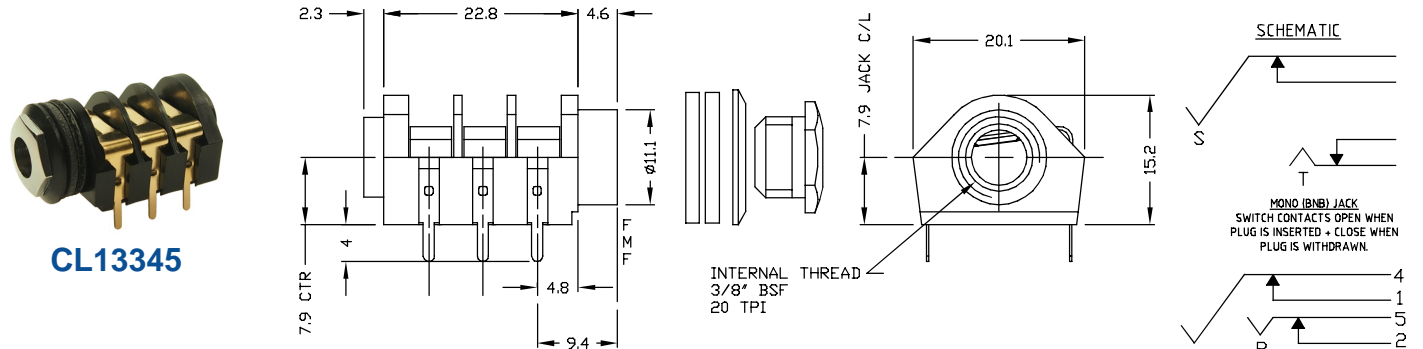
# CLIFF

## GOLD SWITCHED JACK SOCKETS

### 6.35mm JACK SOCKET

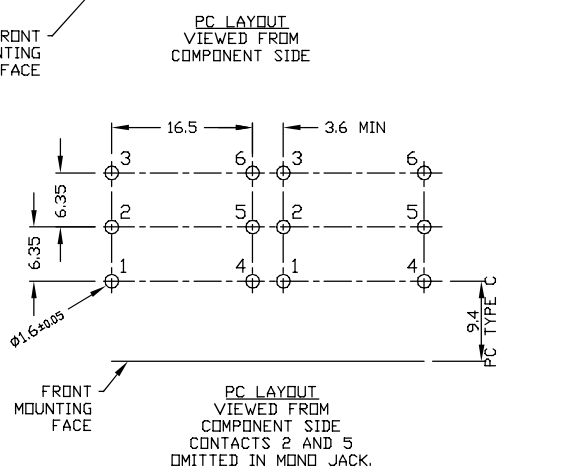


### 6.35mm JACK SOCKET



### DESCRIPTION

- CL1227G** - Jack Socket Stereo S2A/BBB PC tag type C Kinked
- CL13345** - Jack Socket Stereo S4/BBB PC tag type C
- CL1308G** - Jack Socket Mono S4/BNB PC tag type A
- CL13106G** - Jack Socket Mono S4/BNB PC tag type C



# CLIFF

## GOLD SWITCHED JACK SOCKETS

### 3.5mm JACK SOCKET



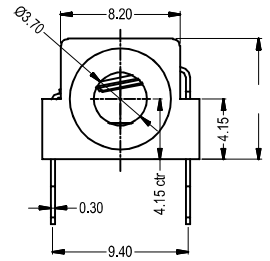
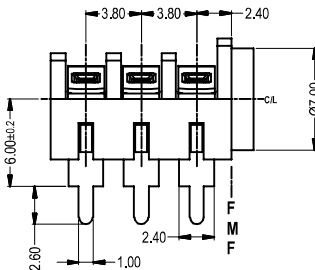
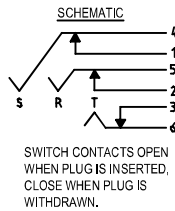
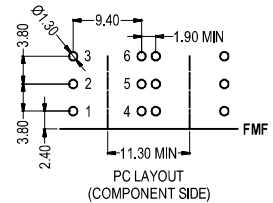
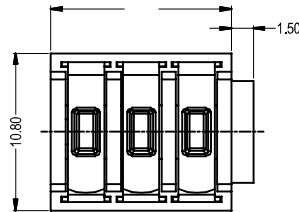
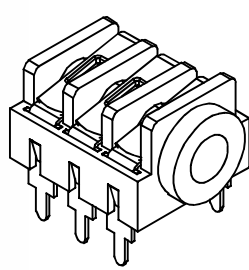
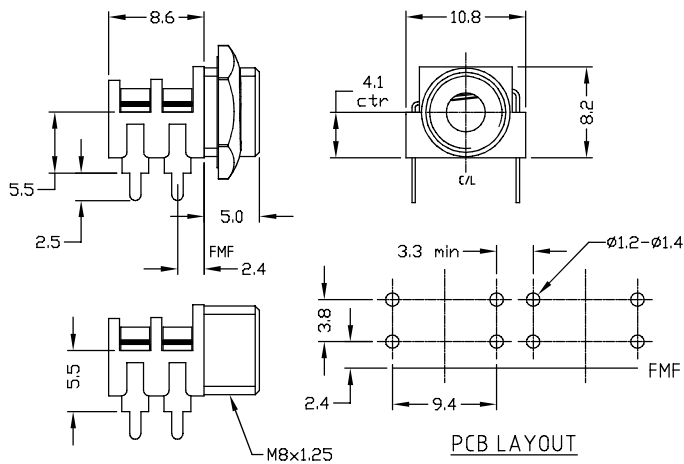
**CL13845G**



**CL13843G**



**FCR1295G**



**SPECIFICATIONS**

- WITHSTAND VOLTAGE: 2000V DC min
- MAXIMUM CURRENT: 5A
- TEMPERATURE RANGE: -10°C TO +70°C
- LIFE (MINIMUM): 5,000+ OPERATIONS
- CONTACT RESISTANCE <50mΩ

**DESCRIPTION**

- CL13845G** - 3.5mm Jack Socket S6G/BB with nut
- CL13843G** - 3.5mm Jack Socket S6G/BB without nut
- CL1295G** - 3.5mm Stereo Jack Socket S9/BBB with 6mm PCB legs

**JACK SOCKET ACCESSORIES**



**FCR1442** - EMI / RFI SCREEN FOR 6.35mm JACK SOCKETS



**CL14218** - BLACK COMBINED NUT/BEZEL FOR S4 TYPE JACK SOCKET



**CL14218GY** - GREY COMBINED NUT/BEZEL FOR S4 TYPE JACK SOCKET

**CL1396** - RECESS PLATE TO ALLOW FLUSH MOUNTING OF 6.35mm JACK SOCKETS

