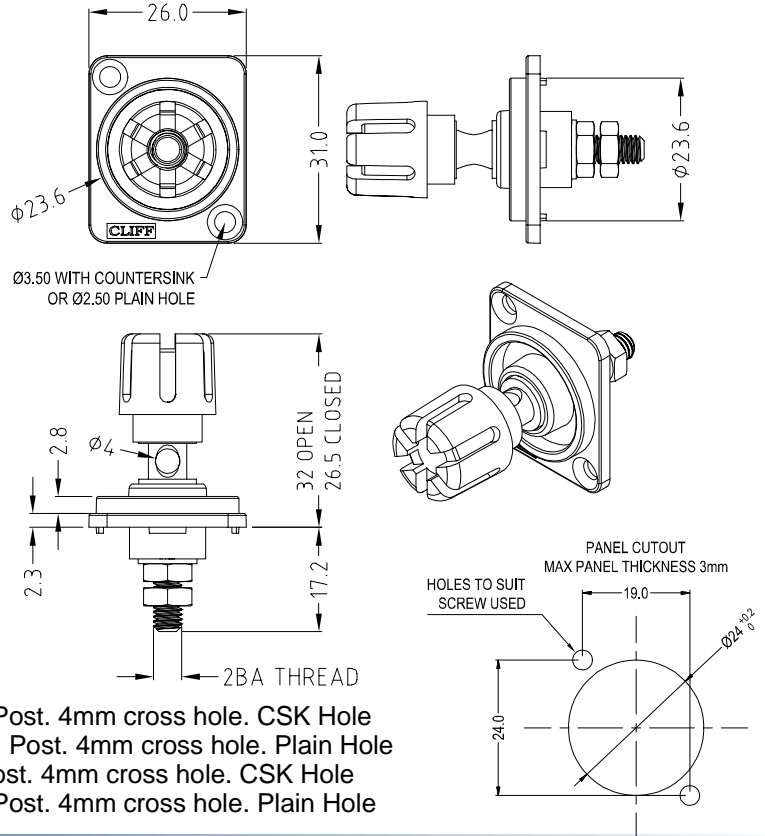


CLIFF

XRP RECESS PLATES

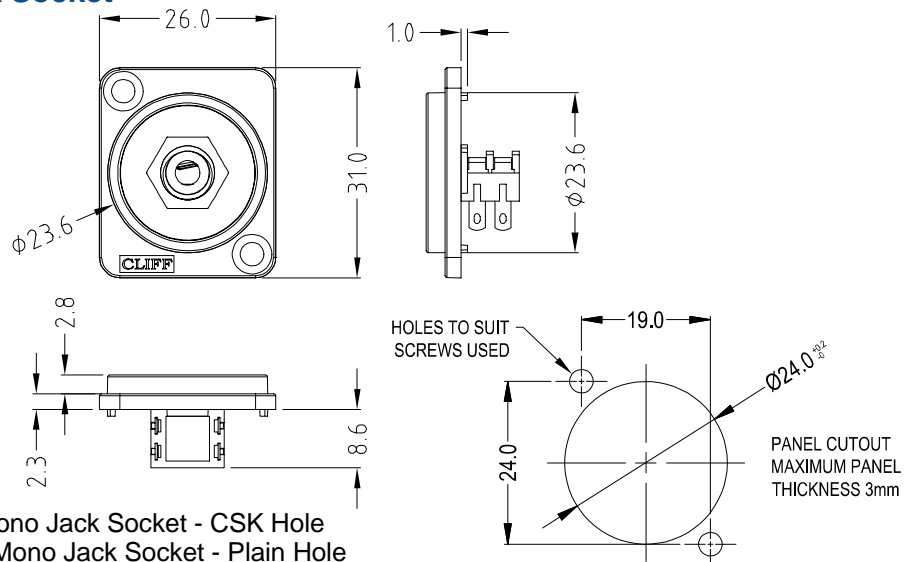
The Cliff range of XLR Recess plates enable the easy mounting of components into panels, using standard Ø24mm XLR panel cutout. Plates can be front or rear mounted. Plate material is Nylon.

Plate mounted with 30A. Terminal Post



- CP303010** - XRP3 with Black 30A. TP6 Terminal Post. 4mm cross hole. CSK Hole
- CP303010X** - XRP3 with Black 30A. TP6 Terminal Post. 4mm cross hole. Plain Hole
- CP303011** - XRP3 with Red 30A. TP6 Terminal Post. 4mm cross hole. CSK Hole
- CP303011X** - XRP3 with Red 30A. TP6 Terminal Post. 4mm cross hole. Plain Hole

Plate mounted with 3.5mm Jack Socket

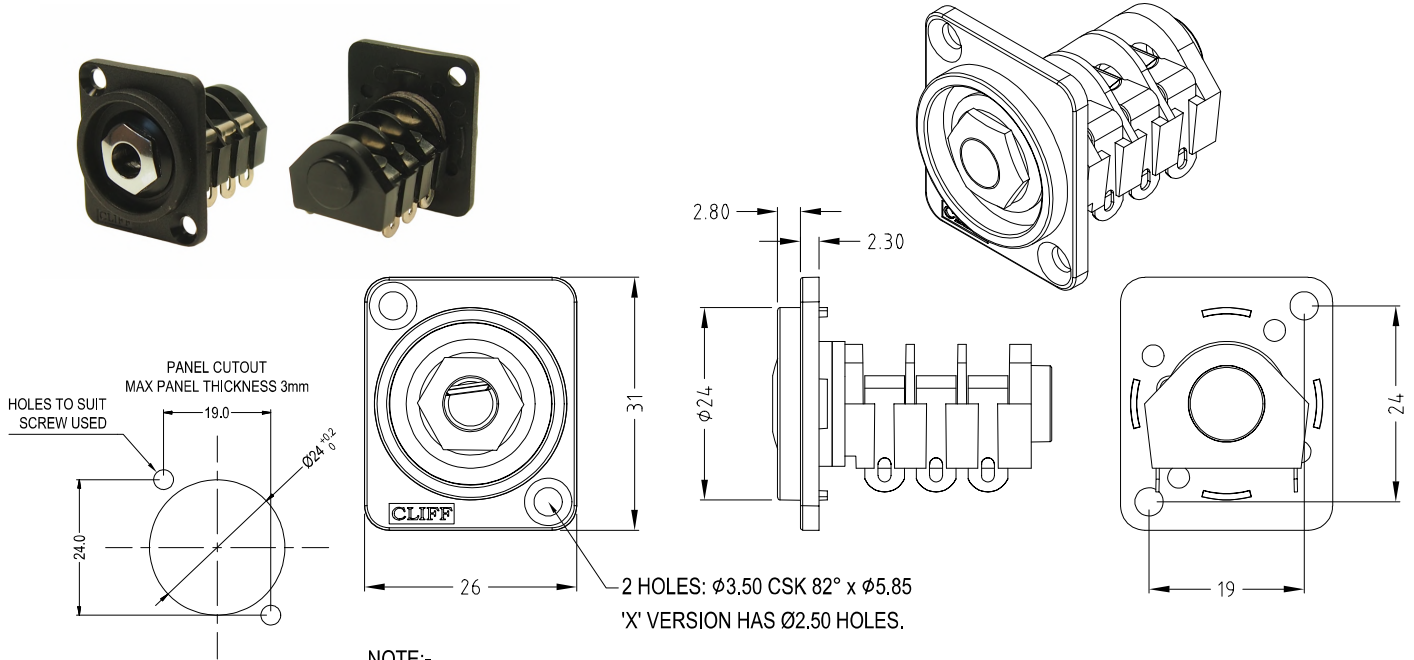


- CP303075** - XRP3 with S6/BB 3.5mm Mono Jack Socket - CSK Hole
- CP303075X** - XRP3 with S6/BB 3.5mm Mono Jack Socket - Plain Hole

CLIFF

XRP RECESS PLATES

Plate mounted with 6.35mm Stereo Jack Socket



NOTE:-

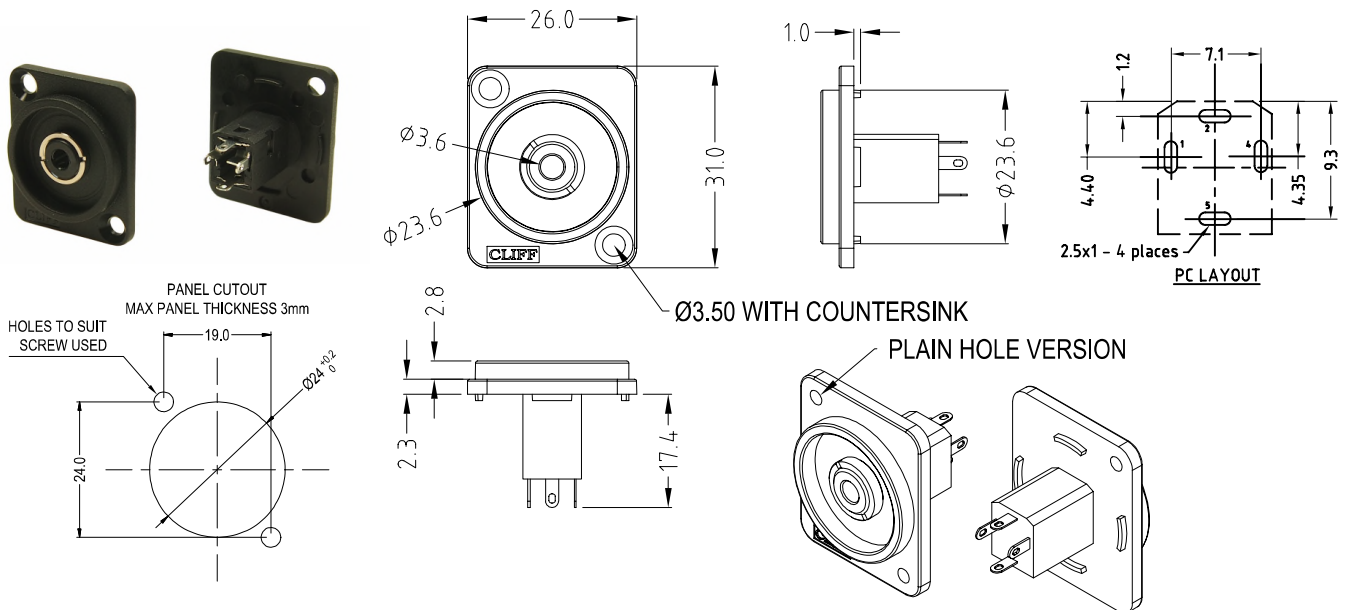
FOR FRONT MOUNT USE SCREWS 7mm MAXIMUM LENGTH.

FOR BACK MOUNT USE SCREWS 7mm + PANEL THICKNESS MAXIMUM LENGTH.

CP303080 - XRP3 with S4/BBB 6.35mm Stereo Jack Socket - CSK Hole

CP303080X - XRP3 with S4/BBB 6.35mm Stereo Jack Socket - Plain Hole

Plate mounted with 6.35mm Vertical Stereo Jack Socket, PC Mount.



CP303100 - XRP3 with 6.35mm Vertical Stereo Jack Socket - PC Mounting, CSK Hole

CP303100X - XRP3 with 6.35mm Vertical Stereo Jack Socket - PC Mounting, Plain Hole

Cliff Electronic Components Limited,

76 Holmethorpe Avenue, Holmethorpe Ind. Estate,
Redhill, Surrey RH1 2PF U.K.

Tel: +44 (0)1737 771375 Fax: +44 (0)1737 766012



www.cliffuk.co.uk