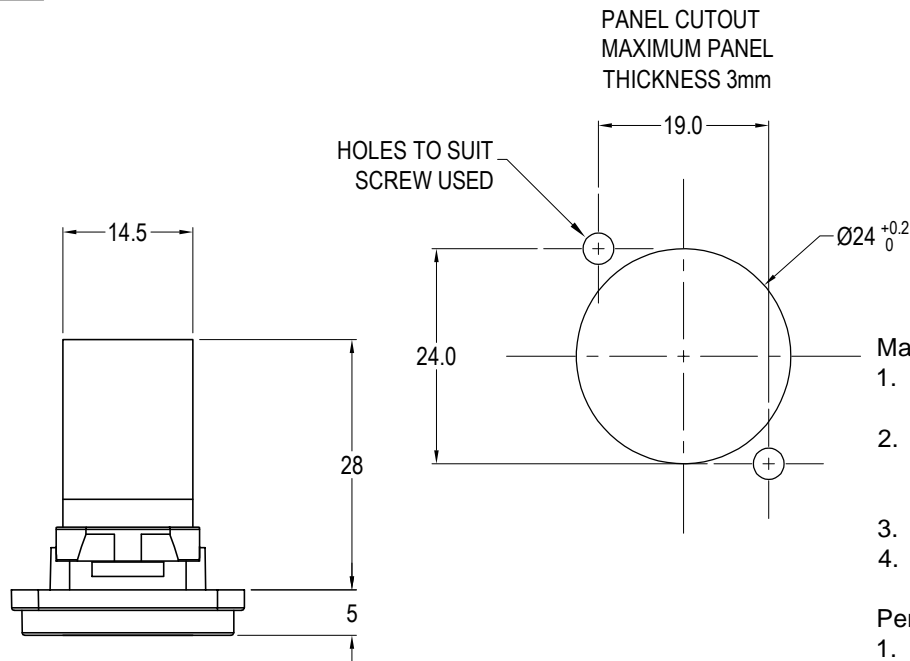
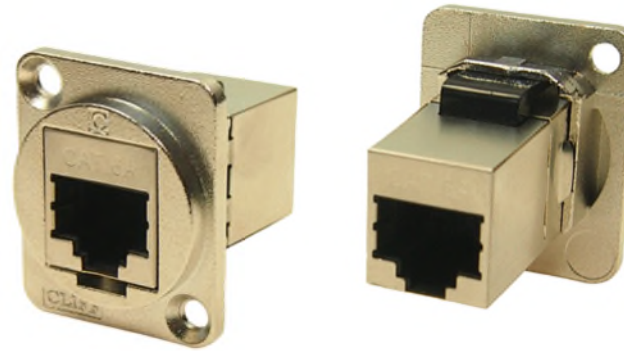


ISS.	AMEND	DATE
1	ISSUED	11/04/18
2	ADD M3 VARIANT	16/07/18
3	ADD MIN MAX TEMP	30/06/20



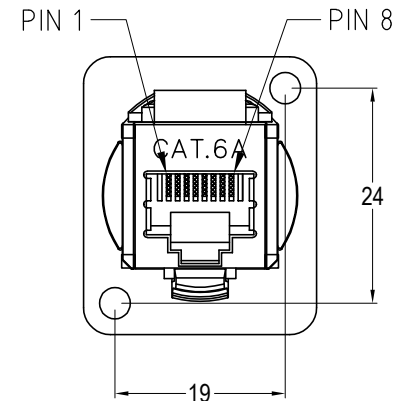
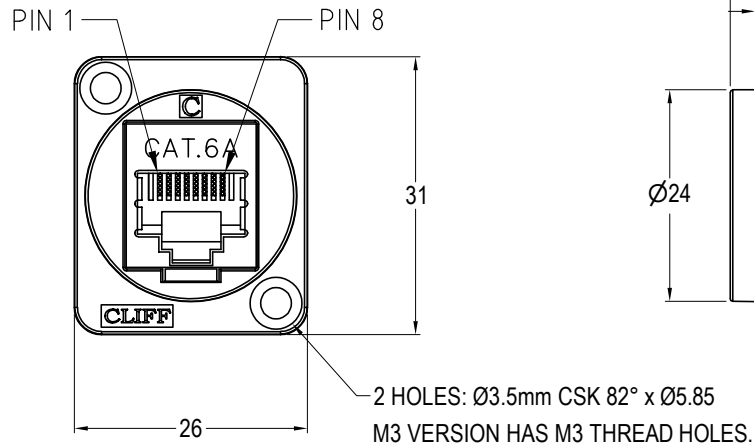
Material:

1. RJ45 In-Line Coupler: PC/ABS, UL 94V-0, Black colour
2. RJ45 In-Line Coupler Contact: Phosphor Bronze, 3-50 micro inches gold plating over nickel plate.
3. PCB: FR4, UL 94V-0
4. Frame: Nickel plated zinc diecast

Performance:

1. T568A & T568B wiring.
2. Meet ISO/IEC 11801 and EN50173
4. Meet ANSI/TIA/EIA 568B.2
5. Operating Temperatures: Min -10°C Max +70°C

VARIANTS	
PART No.	HOLE DETAILS
CP30225SM	HOLE Ø3.50 x CSK 82° x Ø5.85
CP30225SM3	M3 HOLES



RoHS
COMPLIANT

TOLERANCE
NO DEC. PLACE ±
1 DEC. PLACE ±
2 DEC. PLACE ±
HOLE Ø ±
ANGLES ±
UNLESS
OTHERWISE STATED

DO NOT SCALE

Cliff Electronic Components Ltd.

76 Holmethorpe Avenue, Holmethorpe Industrial Estate,
Redhill, Surrey, RH1 2PF, England, UK
Tel: 01737-771375 Fax: 01737-766012 Website: www.cliffuk.co.uk

THE CONTENTS OF THIS DOCUMENT MUST NOT BE COPIED OR DISCLOSED
TO A 3rd PARTY WITHOUT WRITTEN PERMISSION OF CLIFF UK. © 2018

DIMENSIONS IN MILLIMETERS UNLESS OTHERWISE STATED. WORK TO DIMENSIONS. REMOVE ALL BURRS. IF IN DOUBT ASK.

3rd ANGLE PROJECTION:

MATERIAL: See Notes

FINISH: See Notes

DRAWN: T.J.O.

APPROVED: D.P.J.

TITLE: FT METAL FTP CAT6A RJ45 SHIELDED

DRWG. No. CP30225SM

FORM: A4DRWGH