

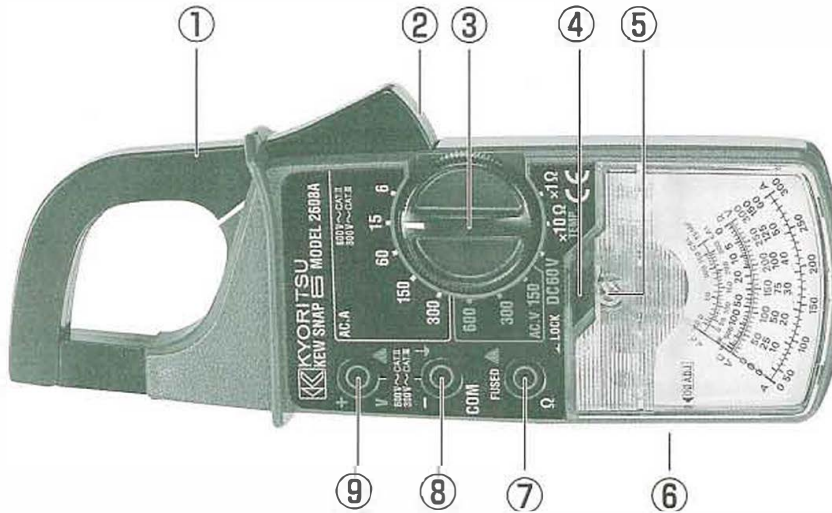
**Newly designed to meet
the latest International Safety Standard
IEC 61010-1 CAT. III 300V**



AC CLAMP METER WITH DC VOLTAGE RANGE

KEW SNAP 6
MODEL 2608A

INSTRUMENT LAYOUT



- ① Transformer Jaws
- ② Jaw Trigger
- ③ Range Switch
- ④ Pointer Lock Button
- ⑤ Meter Zero Adjuster
- ⑥ Ohm Zero Adjuster
- ⑦ OHM Terminal
- ⑧ COM Terminal
- ⑨ VOLT Terminal

FEATURES

- All five functions in one unit. Versatile clamp meter that measures AC current, AC voltage and resistance plus DC voltage and temperature.
- Tear drop shaped jaws for ease of use in crowded cable areas.
- Safety design throughout. Shielded banana plugs and recessed input terminals.
- DC voltage range especially useful for checking emergency battery operated power supply systems, etc.
- Pointer lock device to freeze readings.

SPECIFICATIONS

	MODEL2608A
Ranges	AC Current 6/15/60/150/300A AC Voltage 150/300/600V DC Voltage 60V Resistance 0-1k Ω /10k Ω (25 Ω /250 Ω mid-scale) Temperature -20 $^{\circ}$ C~+150 $^{\circ}$ C (Optional temperature probe MODEL7060 required)
Accuracy	AC Current \pm 3% of full scale AC Voltage \pm 3% of full scale DC Voltage \pm 3% of full scale Resistance \pm 2% of scale length Temperature \pm 5 $^{\circ}$ C (0 $^{\circ}$ C~+100 $^{\circ}$ C) \pm 10 $^{\circ}$ C (other ranges)
Withstand Voltage	3,700V AC for one minute between electrical circuit and housing case or metal section of transformer jaws.
Insulation Resistance	10M Ω min./1000V between electrical circuit and housing case or metal section of transformer jaws.
Overload Protection	Protected by 0.5A, 250V fuse & diode on all resistance ranges.
Frequency	50Hz/60Hz
Safety Standard	IEC61010-1 CAT III 300V, CAT II 600V, IEC61010-2-031, IEC61010-2-032
Conductor Size	Approx. 33mm max
Dimensions	193mm (L) \times 78mm (W) \times 39mm (D)
Weight	Approx. 275g (battery included)
Power Source	One 1.5V battery type SUM-3, R6P, AA or equivalent
Accessories	Test leads MODEL7066 with prods and insulated banana plugs, one battery two 0.5A/250V fuses (spare fuse included) Carrying Case MODEL9097, Instruction Manual
Optional	Energizer MODEL8021, Multi-trans MODEL8004, 8008 Temperature probe MODEL7060

⚠ Safety Warnings

Please read the "Safety Warnings" in the instruction manual supplied with the instrument thoroughly and completely for correct use. Failure to follow the safety rules can cause fire, trouble, electrical shock, etc. Therefore, make sure to operate the instrument on a correct power supply and voltage rating marked on each instrument.

*The contents of this catalogue may be subject to change without notice.



Cosinus Messtechnik GmbH
Rotwandweg 4
D-82024 Taufkirchen
Tel 089-665594-0
Fax 089-665594-30
e-Mail: office@cosinus.de
Internet: www.cosinus.de