



Model Number

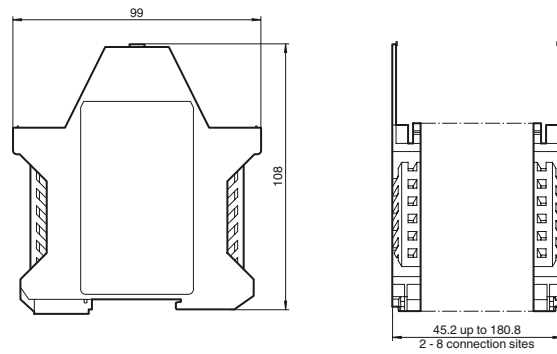
SB4 Housing 6

Empty housing for Evaluation unit SB4

Features

- Housing of the SafeBox with backplane for completion

Dimensions



Technical data

Mechanical specifications

Material Polyamide (PA)

Approvals and certificates

Approvals TÜV, cULus

Model number

| Number of plug-in stations | Description | Housing width (mm) |
|----------------------------|---------------|--------------------|
| 2 | SB4 Housing 2 | 45.2 |
| 3 | SB4 Housing 3 | 67.8 |
| 4 | SB4 Housing 4 | 90.4 |
| 5 | SB4 Housing 5 | 113.0 |
| 6 | SB4 Housing 6 | 135.6 |
| 7 | SB4 Housing 7 | 158.2 |
| 8 | SB4 Housing 8 | 180.8 |

Release date: 2018-09-26 11:16 Date of issue: 2018-09-26 191466_eng.xml