



**Model Number**

**AS 12/80**

Stop screw for series F2 sensors

**Features**

- Safely sets the mechanical end stop position

**Technical Data**

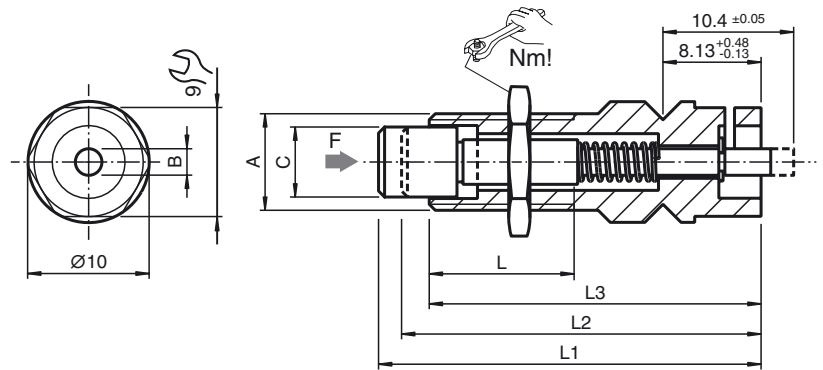
**Mechanical specifications**

Operating force	min. 3 N max. 20500 N
Material	Steel 1.1191 / AISI 1045 (C45)
<b>Dimensions</b>	
A	M12 x 1
B	3 mm
C	8.8 mm
L	76 mm
L1	94.1 mm
L2	92.2 mm
L3	89.5 mm
Tightening torque	max. 26 Nm

**General information**

Note	If necessary, properly secure the lock nut
Scope of delivery	Stop screw Counter nut

**Dimensions**



Release date: 2015-02-02 16:35 Date of issue: 2015-02-02 189993\_eng.xml