



### Model Number

#### DoorScan-DS-4P-1600

Active infrared scanner  
Profile length of 1600 mm

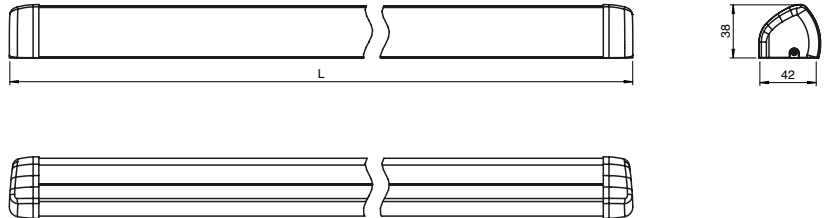
### Features

- Moving presence sensor for automatic doors
- SIL 2, certified in accordance with DIN 18650/EN 16005
- Exceptional detection reliability
- Reliable operation with all floor coverings
- Complete protection up to the wall without sensor shutoff
- Additional protection of the main and secondary closing edges
- Tool-free module mounting using snap-in mechanism
- Switchable NPN or PNP outputs

### Product information

DoorScan is a presence sensor for automatic revolving doors. It uses active infrared technology to perform background evaluation. The sensor is suitable for mobile or stationary mounting. Because the emitter and receiver module can be repositioned freely, the field of view can also be adjusted to fit the door width. An interface controls both sides of the door and establishes the link to the door controller. DoorScan meets the requirements of DIN 18650 and is a safety system fulfilling PL d in accordance with DIN EN ISO 13849-1 used in conjunction with a secure door controller that generates and evaluates the test signals.

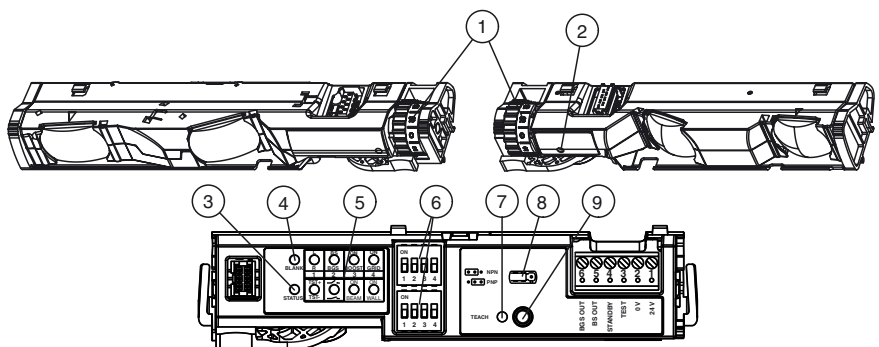
### Dimensions



### Electrical connection

1	BN	— 24V
2	BU	— 0V
3	GY	— TEST
4	PK	— STANDBY
5	BK	— BS OUT
6	WH	— BGS OUT

### Indicators/operating means



- |   |                             |
|---|-----------------------------|
| 1 Adjusting wheel for inclination angle | 6 DIP switch - rows 1 and 2 |
| 2 Receiver indicator LED, red           | 7 Teach LED, yellow         |
| 3 Status LED, red                       | 8 Jumper                    |
| 4 Blank LED, green                      | 9 Teach button              |
| 5 DIP LEDs, green                       |                             |

**Technical data****General specifications**

Detection range min.	0 ... 1500 mm
Detection range max.	0 ... 3500 mm (Upright CA test body)
Sensing range	1400 mm at installation height of 2100 mm
Light source	IREC 850 nm
Black/White difference (6%/90%)	< 2 % at 2000 mm sensor range
Number of beams	20
Operating mode	Background evaluation
Diameter of the light spot	8 cm at 2000 mm sensor range

**Functional safety related parameters**

Safety Integrity Level (SIL)	SIL 2
Performance level (PL)	PL d
Category	Cat. 2
MTTF <sub>d</sub>	112.7 a
Mission Time (T <sub>M</sub> )	10 a

**Indicators/operating means**

Function indicator	Receiver: Red LED: detection, excess gain, fault code Interface: Red LED: detection, excess gain, fault code Yellow LED: teach status Green LED: blank status Green LED: DIP switch status
Control elements	Teach-In key , DIP-switch for selection of operating modes

**Electrical specifications**

Operating voltage	U <sub>B</sub>	24 V DC +/- 20 %
No-load supply current	I <sub>0</sub>	max. 320 mA
Power consumption	P <sub>0</sub>	7.7 W

**Input**

Test input	high level ≥ 15 V low level ≤ 2 V
Control input	Standby active at U = 11 V DC at 30 V DC

**Output**

Switching type	light on
Signal output	switchable NPN or PNP , short-circuit protected
Switching voltage	max. 30 V DC
Switching current	max. 100 mA
Response time	≤ 52 ms ≤ 200 ms in boost operating mode

**Ambient conditions**

Ambient temperature	-30 ... 60 °C (-22 ... 140 °F)
---------------------	--------------------------------

**Mechanical specifications**

Housing length L	1600 mm
Mounting height	max. 3500 mm
Degree of protection	IP54 (iwhen mounted)
Connection	Plug-in terminal with 6-wire connection cable
Material	
Housing	Aluminum / PA
Optical face	PC (Polycarbonate)
Mass	approx. 2760 g
Dimensions	(W x H x D) : 42 mm x 1600 mm x 37 mm

**General information**

Scope of delivery	Sensor system for hinge side and leading edge side (4 emitter and receiver modules each, 1 interface module, connecting cable, 2 housing profiles and optical covers each, 4 end caps)
-------------------	--

**Compliance with standards and directives**

Directive conformity	
Machinery Directive 2006/42/EC	EN 12978:2003+A1:2009 EN ISO 13849-1:2008 + AC:2009 EN 16005:2012 Chapter 4.6.8
EMC Directive 2004/108/EC	EN 61000-6-2:2005 EN 61000-6-3:2007+A1:2011
Standard conformity	
Standards	EN 61508-1:2010 DIN 18650-1:2010 Chapter 5.7.4 BS 7036-1:1996 Chapter 7.3.2 BS 7036-2:1996 Chapter 8.1

**Approvals and certificates**

CCC approval	CCC approval / marking not required for products rated ≤36 V
--------------	--

**Functional principle****Typical applications**

- Protection mechanism for closing edges on automatic doors
- Anti-collision protection for people/objects in the vicinity of revolving or carousel doors.

**Accessories****DoorScan Weather Cap L1600**

All-weather hood for DoorScan® and TopScan series sensing strips

**DoorScan Cable BS/BGS**

Connecting cable for transition from hinge side to leading edge side

**DoorScan Connection Cable 5p**

Connecting cable with 5 plug-in connections for DoorScan®-I/-T/-R modules

**DoorScan Transfer Loop**

Door transition cable to door controller for DoorScan® sensor, including cable sheathing and strain relief

**DoorScan-R**

Replacement/extension sensor module for installation in the DoorScan® and TopScan sensor profile, receiver module

**DoorScan-T**

Replacement/extension sensor module for installation in the DoorScan® and TopScan sensor profile, emitter module

**DoorScan-I**

Replacement/extension sensor module for installation in the DoorScan® and TopScan sensor profile, multifunction interface module

**DoorScan End Caps**

End cap set for DoorScan® sensor profile

**TopScan-S Profile L1400**

Housing profile TopScan-S

**TopScan-S Cover L1400**

Housing cover TopScan-S

**DoorScan Relay Module**

Replacement/extension sensor module for installation in the DoorScan® and TopScan sensor profile, multifunction interface module

**DoorScan Adapter**

Adapter module for installation in the DoorScan® and TopScan sensor profile, multifunction interface module

**DoorScan Cable Adapter**

Adapter module for installation in the DoorScan® sensor profile, multifunction interface module

Other suitable accessories can be found at [www.pepperl-fuchs.com](http://www.pepperl-fuchs.com)

DoorScan is an active infrared triangulation sensor with background analysis.

The ground is taught in as a reference and the sensor can learn flat walls on the hinge side and door posts on the leading edge side when the door is opened. This means that person detection can be ensured throughout the entire movement of the door.

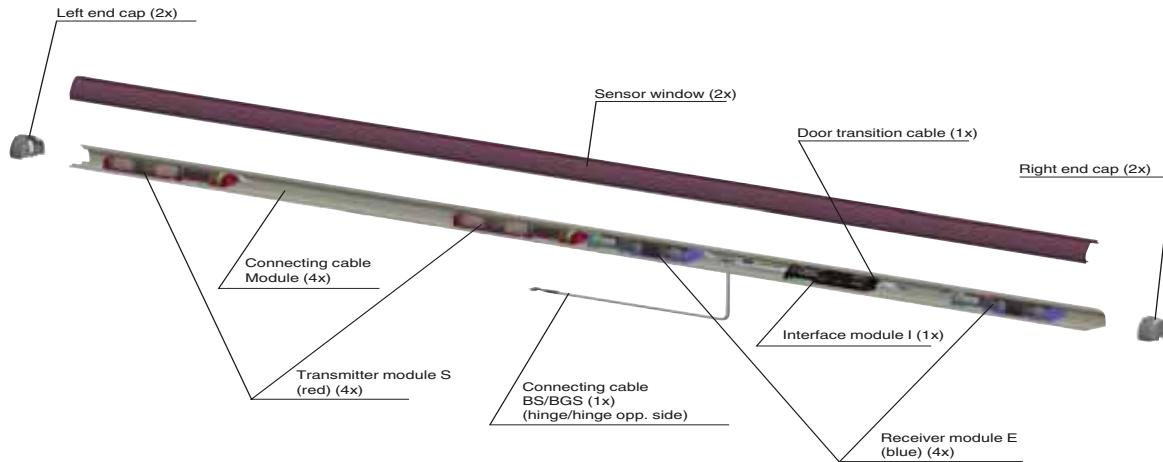
#### **Characteristics**

The DoorScan housing comprises an aluminum profile system with a plastic cover, which can be adapted to a door width of up to 1200 mm. A minimum of one and a maximum of three emitter and receiver modules must be fitted on each side of the door. The interface must be installed on one side.

The modules should be arranged approx. 10 cm away from the edge of the door. If more than one emitter/receiver module is installed on each side, the modules must be overlapped (S1, S2, E1, E2).

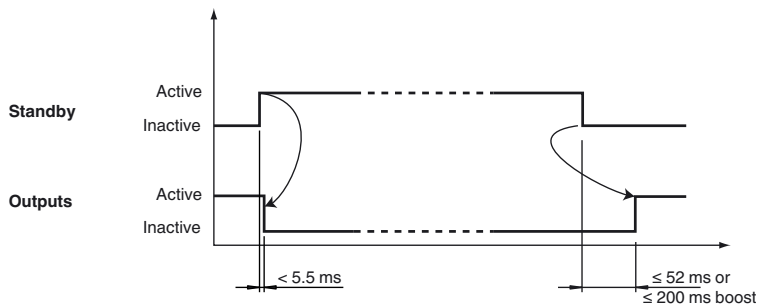
**Additional Information**

**Layout of the sensor system for a door (hinge/leading edge side)**



**Standby**

When the supply voltage is applied, the sensor is put into standby — the energy consumption is reduced to less than 80% in this state. Once the signal is deactivated, the sensor is immediately ready for operation and enables the signal outputs within 52 ms and/or 200 ms (in boost operating mode) if the detection field is free.



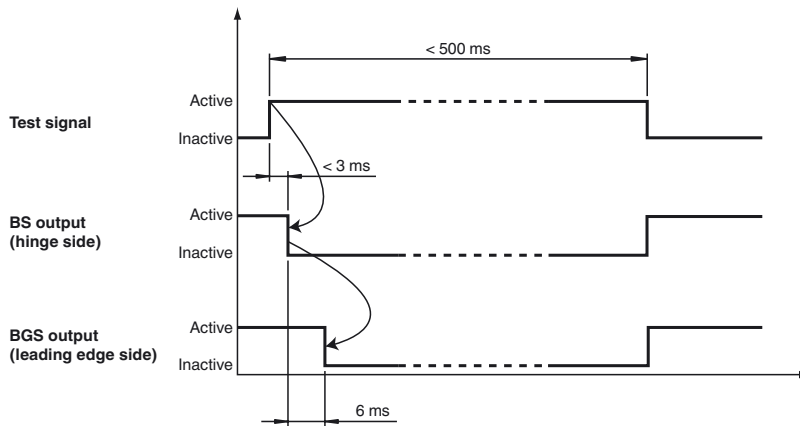
**Test input circuit**

Test Function	Test inactive	Test active	Interface DIP switch 1, bottom row
High active			ON Test at +24 V
Low active			OFF Test at 0 V
High inactive			OFF Test at 0 V
Low inactive			ON Test at +24 V

**Test signal**

The signal outputs enable short circuit detection. In order to do so, the outputs carry out a delayed shutoff from each other (see signal curve).

Release date: 2016-12-06 15:12 Date of issue: 2016-12-06 299666\_eng.xml

**Note!**

The test signal must be in contact with the test input for at least 9 ms!  
The duration of the test signal must not exceed 0.5 s, otherwise this will deactivate the sensor.

**Operating Modes****Boost operating mode**

Activation with dark floors, even at high installation heights (increased sensitivity). In these cases, the response time of the sensor is increased from 50 ms to 200 ms. If necessary, the speed of the door must be adjusted to the response time.

**Grid operating mode**

Activation in the event of faults due to grating on the ground. Used where grating and shafts are present in the detection field.