



Model Number

CBB10-30GKK-A2

Features

- 10 mm flush
- 15 mm non-flush
- The switching distance can be set over a wide range with the potentiometer

Accessories

BF 30

Mounting flange, 30 mm

Technical Data

General specifications

Switching element function		PNP	NO/NC
Rated operating distance	s_n	10 mm	
Installation		flush	
Output polarity		DC	
Assured operating distance	s_a	0 ... 8.1 mm	

Nominal ratings

Installation conditions			
A		0 mm	
B		0 mm	
C		20 mm	
F		40 mm	
Operating voltage	U_B	10 ... 30 V DC	
Switching frequency	f	0 ... 100 Hz	
Hysteresis	H	2 ... 20 %	
Reverse polarity protection		reverse polarity protected	
Short-circuit protection		pulsing	
Voltage drop	U_d	≤ 1.8 V	
Operating current	I_L	0 ... 200 mA	
Off-state current	I_r	0 ... 0.1 mA	
No-load supply current	I_0	≤ 15 mA	
Operating voltage indicator		LED, green	
Switching state indicator		LED, yellow	

Indicators/operating means

Potentiometer	sensitivity adjustment
---------------	------------------------

Ambient conditions

Ambient temperature	-25 ... 70 °C (-13 ... 158 °F)
---------------------	--------------------------------

Mechanical specifications

Connection type	screw terminals
Core cross-section	up to 2.5 mm ²
Housing material	ABS
Sensing face	ABS
Degree of protection	IP67

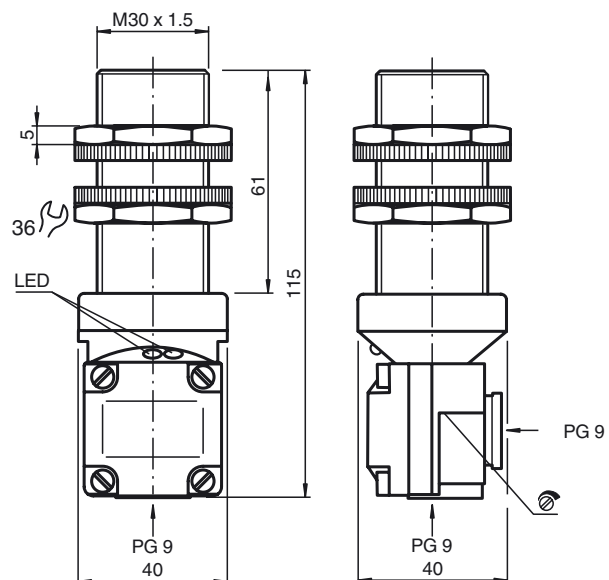
Compliance with standards and directives

Standard conformity	
Standards	EN 60947-5-2

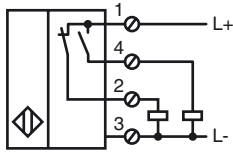
Approvals and certificates

UL approval	cULus Listed, General Purpose
CCC approval	CCC approval / marking not required for products rated ≤ 36 V

Dimensions



Electrical Connection



Installation Conditions

