



**Model Number**

**CJ40-FP-A2-P4-V1**

**Features**

- 40 mm non-flush
- Adjustable potentiometer

**Accessories**

- V1-G-YE2M-PVC**  
Female cordset, M12, 4-pin, PVC cable
- V1-W-YE2M-PUR**  
Female connector

**Technical Data**

**General specifications**

Switching element function	PNP	NO/NC
Rated operating distance	$s_n$	40 mm
Installation		non-flush
Output polarity		DC
Assured operating distance	$s_a$	0 ... 32.4 mm

**Nominal ratings**

Operating voltage	$U_B$	10 ... 60 V DC
Switching frequency	$f$	0 ... 10 Hz
Hysteresis	$H$	3 ... 20 % 10 % typical
Reverse polarity protection		reverse polarity protected
Short-circuit protection		pulsing
Voltage drop	$U_d$	$\leq 3$ V
Operating current	$I_L$	0 ... 200 mA
No-load supply current	$I_0$	$\leq 20$ mA

**Indicators/operating means**

LED yellow	indication switching state
Potentiometer	sensitivity adjustment

**Ambient conditions**

Ambient temperature	-25 ... 70 °C (-13 ... 158 °F)
---------------------	--------------------------------

**Mechanical specifications**

Connection type	Connector M12 x 1, 4-pin
Housing material	POM / metal
Sensing face	POM
Housing base	metal
Degree of protection	IP65

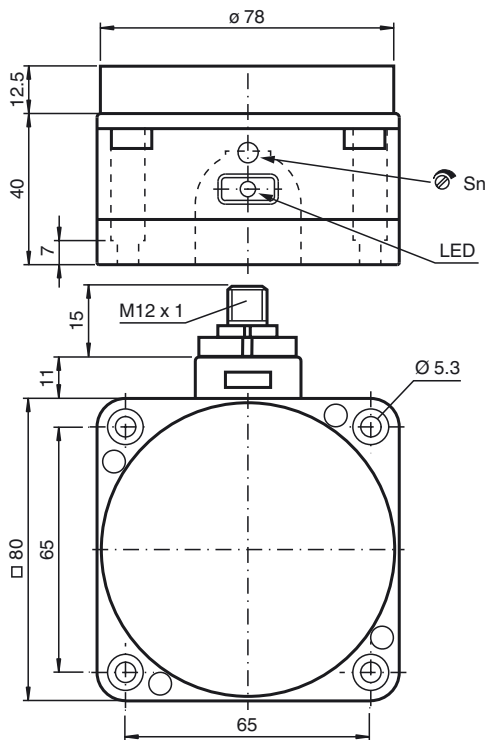
**Compliance with standards and directives**

Standard conformity	
Standards	EN 60947-5-2:2007 IEC 60947-5-2:2007

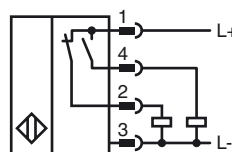
**Approvals and certificates**

UL approval	cULus Listed, General Purpose
CSA approval	cCSAus Listed, General Purpose

**Dimensions**



**Electrical Connection**



Release date: 2015-02-24 10:32 Date of issue: 2015-02-24 906297\_eng.xml

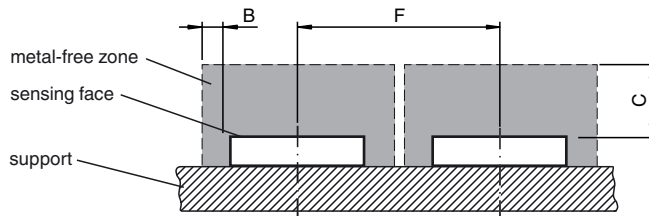
Pinout



Wire colors in accordance with EN 60947-5-2

1	BN	(brown)
2	WH	(white)
3	BU	(blue)
4	BK	(black)

Installation Conditions



Release date: 2015-02-24 10:32 Date of issue: 2015-02-24 906297\_eng.xml