



Model Number

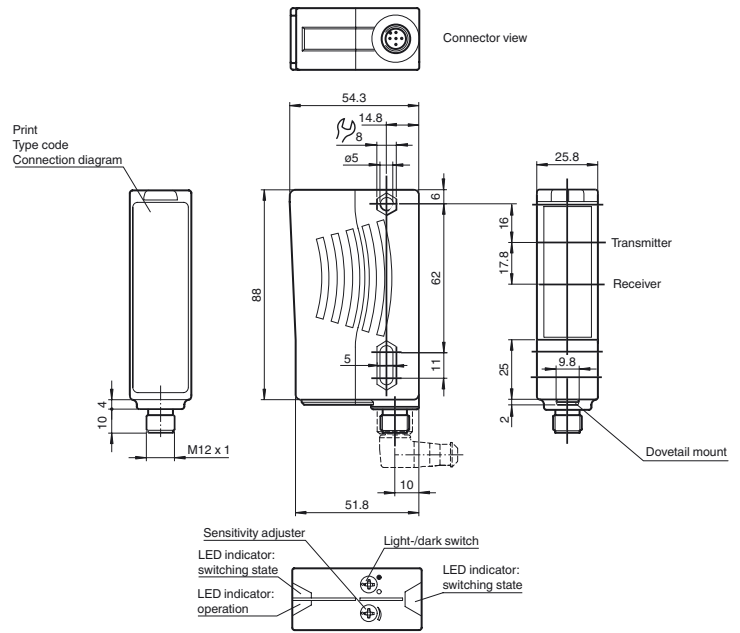
RL28-55-V/49/82b/105

Retroreflective sensor
with 5-pin, M12 x 1 plastic connector

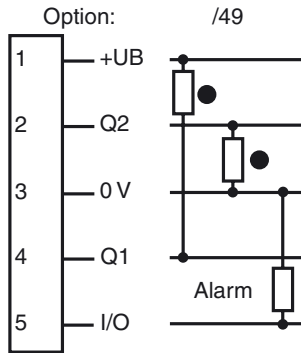
Features

- Foreground suppression, suited to recording of sheet-shrink-wrapped objects
- Ultra bright LEDs for power on, weak signal indication and switching state
- Not sensitive to ambient light, even with switched energy saving lamps
- Waterproof, degree of protection IP67
- Protection class II

Dimensions

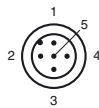


Electrical connection



○ = Light on
● = Dark on

Pinout



Wire colors in accordance with EN 60947-5-2

1	BN	(brown)
2	WH	(white)
3	BU	(blue)
4	BK	(black)
5	GY	(gray)

Release date: 2018-03-26 09:41 Date of issue: 2018-03-26 421149_eng.xml

Technical data**General specifications**

Effective detection range	0 ... 13 m
Reflector distance	0.5 ... 13 m (blind range 0 ... 0.2 m faded out)
Threshold detection range	17 m
Reference target	H85-2 reflector
Light source	LED
Light type	modulated visible red light , 660 nm
Polarization filter	yes
Diameter of the light spot	approx. 220 mm at a distance of 13 m
Angle of divergence	emitter 1.2° receiver 2°
Ambient light limit	80000 Lux

Functional safety related parameters

MTTF _d	690 a
Mission Time (T _M)	20 a
Diagnostic Coverage (DC)	0 %

Indicators/operating means

Operation indicator	LED green
Function indicator	2 LEDs yellow, light up when light beam is free, flash when falling short of the stability control, off when light beam is interrupted
Control elements	sensitivity adjustment (Adjustment to < 25% of the effective operating range) , Light-on/dark-on changeover switch

Electrical specifications

Operating voltage	U _B	10 ... 30 V DC
Ripple		10 %
No-load supply current	I ₀	≤ 40 mA

Output

Pre-fault indication output	1 PNP, inactive when falling short of the stability control for 10;s immediately inactive if 4 light beam interruptions take place	
Switching type	light/dark on switchable	
Signal output	1 NPN, 1 PNP synchronized-switching, short-circuit protected, reverse polarity protected , open collectors	
Switching voltage	max. 30 V DC	
Switching current	max. 200 mA	
Switching frequency	f	1000 Hz
Response time		0.5 ms

Conformity

Product standard	EN 60947-5-2
------------------	--------------

Ambient conditions

Ambient temperature	-40 ... 60 °C (-40 ... 140 °F)
Storage temperature	-40 ... 75 °C (-40 ... 167 °F)

Mechanical specifications

Housing width	25.8 mm
Housing height	88 mm
Housing depth	54.3 mm
Degree of protection	IP67
Connection	5-pin, M12 x 1 connector
Material	
Housing	Plastic ABS
Optical face	plastic
Connector	plastic
Mass	70 g

Approvals and certificates

Protection class	II, rated voltage ≤ 250 V AC with pollution degree 1-2 according to IEC 60664-1
UL approval	E87056 , cULus Listed , class 2 power supply , type rating 1

Accessories**OMH-05**

Mounting aid for round steel ø 12 mm or sheet 1.5 mm ... 3 mm

OMH-07

Mounting aid for round steel ø 12 mm or sheet 1.5 mm ... 3 mm

OMH-21

Mounting bracket

OMH-22

Mounting bracket

OMH-MLV11-K

dove tail mounting clamp

OMH-RLK29-HW

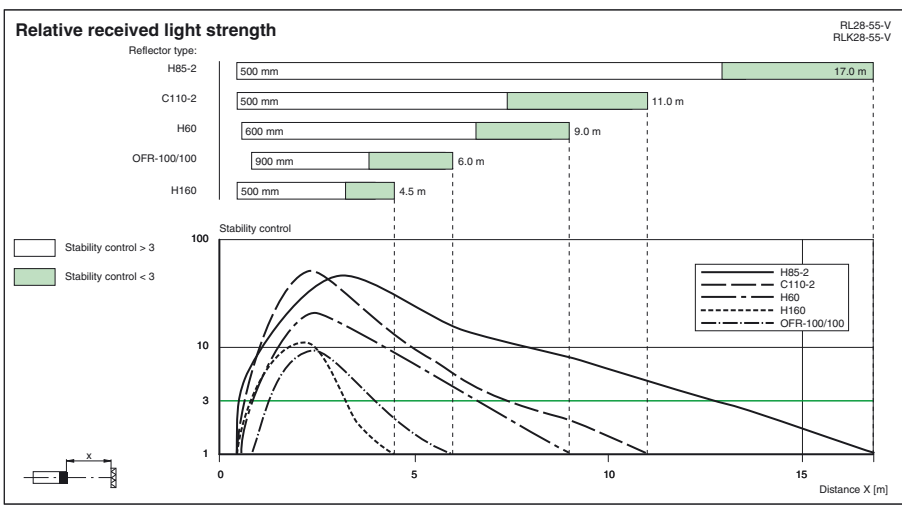
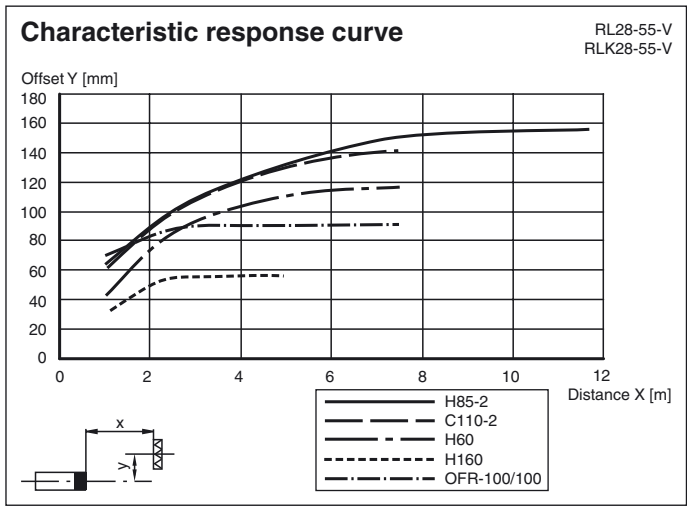
Mounting bracket for rear wall mounting

OMH-RL28-C

Weld slag cover model

Other suitable accessories can be found at www.pepperl-fuchs.com

Curves/Diagrams



Release date: 2018-03-26 09:41 Date of issue: 2018-03-26 421149_eng.xml

Refer to "General Notes Relating to Pepperl+Fuchs Product Information".

Pepperl+Fuchs Group
www.pepperl-fuchs.com

USA: +1 330 486 0001
fa-info@us.pepperl-fuchs.com

Germany: +49 621 776 4411
fa-info@de.pepperl-fuchs.com

Singapore: +65 6779 9091
fa-info@sg.pepperl-fuchs.com